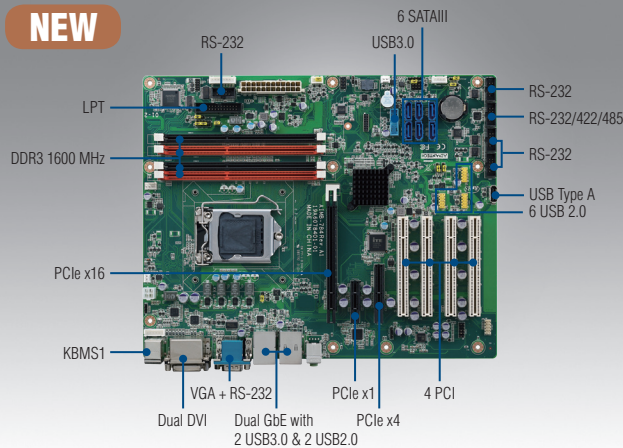


AIMB-784

LGA1150 4th Generation Intel® Core™ i7/i5/i3/
Pentium ATX with DVI/VGA, DDR3, SATA III

NEW



Features

- 4th generation Intel® Core™ processor-based platform
- Supports Intel® Core™ i7/i5/i3 processor with Q87 chipset
- Four DIMM sockets support up to 32 GB DDR3 1333/1600
- Supports triple display VGA/2 DVI-D and dual GbE LAN
- Supports SATA RAID 0, 1, 5, 10, USB 3.0
- Supports Intel vPro, iAMT 9.0 & TPM technologies
- Note: PCA-TPM-00A1E module is required to enable Intel vPro and TPM technologies

Software APIs:



Utilities:

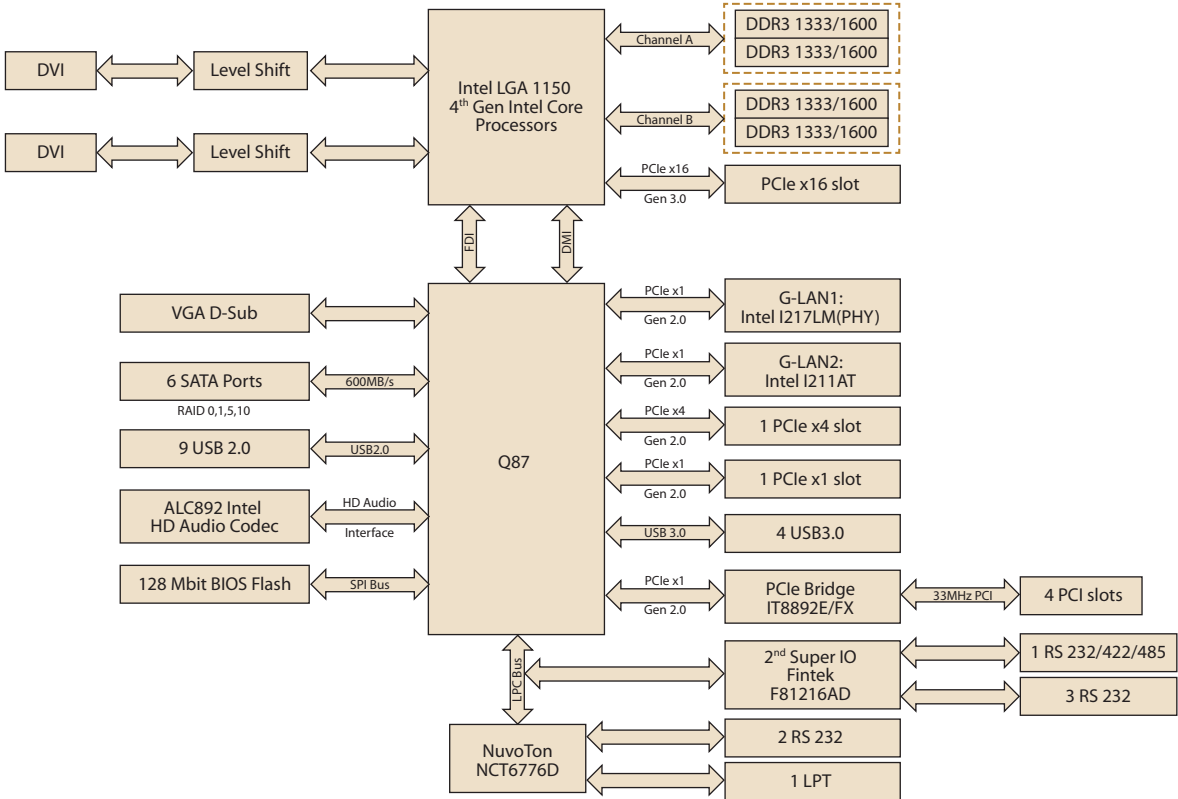


CE FCC

Specifications

Processor System	CPU	i7-4770S	i7-4770TE	i5-4570S	i5-4570TE	i3-4330	i3-4330TE	G3420	G3420T	
	Speed	3.1 GHz	2.3 GHz	2.9 GHz	2.7 GHz	3.5 GHz	2.4 GHz	3.2 GHz	2.7 GHz	
	L3 Cache	8 MB	8 MB	6 MB	4 MB	3 MB	3 MB	3 MB	3 MB	
	Socket	LGA1150								
	Chipset	Q87								
Expansion Slot	BIOS	AMI 128 Mbit SPI								
	PCI	32-bit/33 MHz, 4 slots								
	PCIe x1 (Gen2)	500 MB/s per direction, 1 slot								
	PCIe x4 (Gen2)	2.0 GB/s per direction, 1 slot								
Memory	PCIe x16 (Gen3)	16 GB/s per direction, 1 slot								
	Technology	Dual Channel DDR3 1333/1600								
	Max. Capacity	32 GB								
Graphics	Socket	4 x 240-pin DIMM								
	Controller	Intel HD Graphics (Depends on processor)								
Ethernet	VRAM	1 GB maximum shared memory with 2 GB and above system memory installed								
	Interface	10/100/1000 Mbps								
	Controller	GbE LAN1: Intel I217LM, GbE LAN2: Intel I211AT								
SATA	Connector	RJ-45 x 2								
	Max Data Transfer Rate	600 MB/s								
Rear I/O	Channel	6								
	VGA	1								
	DVI	2								
	Ethernet	2								
	USB	4 (Two USB 3.0)								
	Audio	2 (Mic-in, Line-out)								
	Serial	1 (RS-232)								
	PS/2	2 (1 x keyboard and 1 x mouse)								
Internal Connectors	USB	9 (Two USB 3.0)								
	Serial	4 (3 x RS-232, 1 x RS-232/422/485 with BIOS selection)								
	SATA	6								
	Parallel	1								
	Display Port	1								
	IrDA	1								
	GPIO	8-bit								
Watchdog Timer	Output	System reset								
	Interval	Programmable 1 ~ 255 sec								
Power Requirement	Power On	Intel Core i7-4770S processor; DDR3 8GB x4								
		3.3V	5V		12V	5Vsb				
		1.02A	2.07A		4.17A	0.55A				
Environment		Operating				Non-Operating				
	Temperature	0 ~ 60° C (32 ~ 140° F), depends on CPU speed and cooler solution				-40 ~ 85° C (-40 ~ 185° F)				
Physical Characteristics	Dimensions	304.8 x 244 mm (12" x 9.6")								

Block Diagram



Ordering Information

Part Number	Chipset	Memory	Display	USB 3.0	USB 2.0	COM	GbE LAN	AMT	SATA III	SW RAID
AIMB-784G2-00A1E	Q87	Non-ECC DDR3	VGA + dual DVI	4	9	6	2	Yes	6	Yes

Riser Card

Part Number	Description
AIMB-RF10F-01A1E	1U riser card with 1 PCIe x 16 expansion
AIMB-R43PF-21A1E	2U riser card with 1 PCIe x16 & 2 PCI expansion

Optional Accessories

Part Number	Description
1700002204	Dual port USB 2.0 cable (27 cm) with bracket
1700020277-01	Dual port USB 3.0 Cable with bracket
1960047669N001	CPU cooler for 4U and wallmount chassis
1960047831N001	CPU cooler for 2U and wallmount chassis
1700020294-01	Printer port cable kit (42 cm)
1701092300	COM port cable kit
PCA-TPM-00A1E	TPM module to enable TPM and vPro technologies

Packing List

Part Number	Description	Quantity
1700003194	SATA HDD cable	x 2
1703150102	SATA power cable	x 2
19Z0000454T000	I/O port bracket	x 1
2006078410	Startup manual	x 1
2066078401	Driver CD	x 1

Note: Purchasing AIMB-784's proprietary CPU cooler from Advantech is a must. Other brands' CPU coolers are NOT compatible with AIMB-784.

Bracket View



AIMB-784G2-00A1E



www.L-TronDirect.com

800-830-9523

info@L-Tron.com

596 Fishers Station Dr | Victor, NY | 14564 | Suite 1 A

www.L-Tron.com

