

ARK-3420

Intel® Core™ 2 Duo Box IPC with PCIe Expansion and Dual SATA HDDs



Features

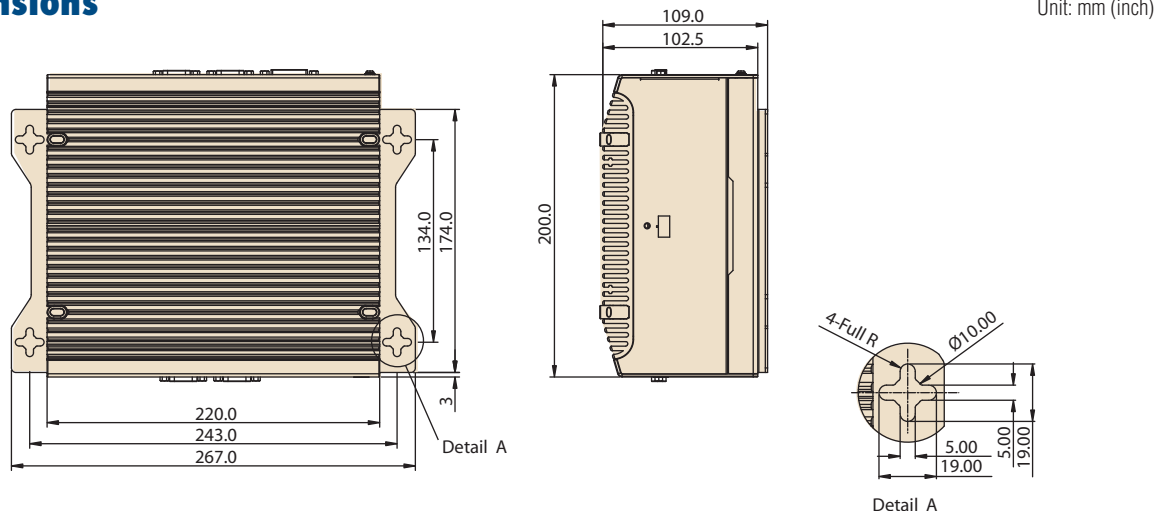
- Fanless, Intel® Core™ 2 Duo Processor Compact Embedded Box IPC
- Dual display and support for wide screen with high resolution
- Supports 2 GbE, eSATA, 6 USB 2.0 and 4 COM ports
- Two internal 2.5" SATA HDD drive bays
- Various expansion Interfaces for diverse applications
- 6 programmable function keys
- Easy integration, easy maintenance, and wide input voltage range
- IP40 Rating



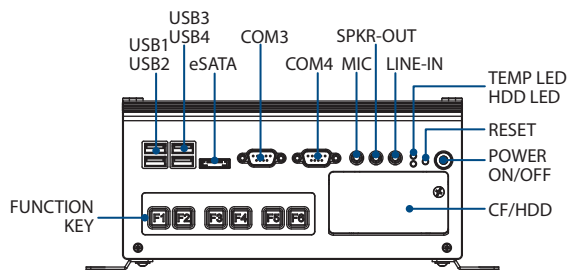
Specifications

| | | | |
|--------------------|------------------------------------|---|----------------------|
| Processor System | CPU | Intel Core 2 Duo | Mobile Intel Celeron |
| | Max. Speed | L7500 (1.6 GHz) | 550 (2.0 GHz) |
| | System Chipset | Intel GME965 + ICH8-M Chipset | |
| | Front Side Bus | 800 MHz | 533 MHz |
| | BIOS | Award 4 MB Flash BIOS | |
| Memory | Technology | DDR2 533/667 MHz (GME965) | |
| | Max. Capacity | 4 GB | |
| | Socket | 2 x 200-pin SODIMM | |
| Graphics | Chipset | Integrated graphics built in Intel GME965, Mobile Intel Graphics Media Accelerator X3100 | |
| | Interfaces | CRT Interfaces (Optional by Cable) DVI Interfaces, compliant with DVI 1.0 48-bit LVDS Interfaces (Optional) | |
| Ethernet | LAN 1 | 10/100/1000 Mbps Ethernet controller, supports Wake On LAN | |
| | LAN 2 | 10/100/1000 Mbps Ethernet controller, supports Wake On LAN | |
| Audio | Amplifier | Dual output 2.2 W amplifier | |
| | Interfaces | Spkr-out, Mic-in, Line-in | |
| I/O Interfaces | Serial Interfaces | 2 x RS-232 ports and 2 x RS-232/422/485 ports (RS-485 with autoflow control) | |
| | USB Interfaces | 6 x USB ports, Compliant with USB 2.0 | |
| | eSATA Interfaces | 1 x eSATA port | |
| | Parallel Port | Supports D-sub 25-pin connector (optional by cable) | |
| | Digital I/O | Supports 16 bit Digital I/O (optional) | |
| Other | Thermal Alarm | Yellow LED lighting | |
| | Watchdog Timer | 255 level timer interval, setup by software | |
| | Function Key | 6 programmable function keys | |
| Expansion | ISA/PCI/PCIe Slot | 2 slots PCI (default); 2 slots PCIe x1 (optional) 1 slot PCI and 1 slot PCIe x1 (optional) Supports maximum dimension of 167 mm (width) x 106 mm (length) for expansion PC board | |
| | Mini PCI/Mini PCIe | 1 x Mini PCIe | |
| | HDD | Supports drive bay space for 2 x SATA 2.5" HDD (9.5 mm height only) | |
| Storage | SSD | Supports CompactFlash socket for type I/II CompactFlash disk | |
| Software Support | Microsoft Windows | Vista, XP Professional, XP Embedded, WinCE 6.0 | |
| | Linux | Fedora 9.0 | |
| Power Requirements | Power Type | AT/ATX | |
| | Power Input Voltage | 9 V _{DC} ~ 34 V _{DC} | |
| | Minimum Power Input | 9 V-34 V --- 6.0 A-1.5 A | |
| | Power Adapter | AC to DC, DC19 V/7.89 A, 150 W (Optional) | |
| Power Consumption | Typical | Typical 29 W (CPU is Intel Core 2 Duo L7500 1.6 GHz and w/o expansion) | |
| | Max. | Max. 35 W (CPU is Intel Core 2 Duo L7500 1.6 GHz and w/o expansion) | |
| Mechanical | Construction | Aluminum housing | |
| | Mounting | Desk/wall-mounting | |
| | Dimensions (W x H x D) | 220 mm x 102.5 mm x 200 mm (8.66" x 4.04" x 7.87") | |
| | Weight | 4 kg (8.8 lb) | |
| Environment | Operating Temperature | With industrial grade CompactFlash disk: -20 ~ 55° C With 2.5-inch extended temperature hard disk -20 to 45° C, with air flow | |
| | Storage Temperature | -40 ~ 85° C (-40 ~ 185° F) | |
| | Relative Humidity | 95% @ 40° C (non-condensing) | |
| | Vibration Loading During Operation | With CompactFlash disk: 5 Grms, IEC 60068-2-64, random, 5 ~ 500 Hz, 1 Oct./min, 1 hr/axis With 2.5-inch hard disk: 1 Grms, IEC 60068-2-64, random, 5 ~ 500 Hz, 1 Oct./min, 1 hr/axis | |
| | Shock During Operation | With CompactFlash disk: 50 G, IEC 60068-2-27, half sine, 11 ms duration With hard disk: 20 G, IEC 60068-2-27, half sine, 11 ms duration | |
| | EMC | CE/FCC Class A, CCC, BSMI | |
| | Safety Certifications | UL, CCC, BSMI | |

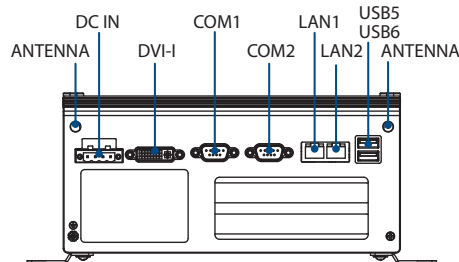
Dimensions



Front Panel External I/O Mechanical Layout/Drawing



Rear Panel External I/O Mechanical Layout/Drawing



Packing List

| Part Number | Description |
|----------------|--------------------------------------|
| - | 1 x ARK-3420 Unit |
| - | 1 x Driver/Utility CD/Manual |
| 1960014487T00C | 2 x Desk/Wall mount plate |
| 1652003234 | 1 x 4-pin Phoenix DC power connector |
| 1654000446 | 1 x DVI-I to CRT connector |

Ordering Information

| Part Number | Description |
|-----------------|---|
| ARK-3420F-S6A1E | Intel Core 2 Duo L7500 1.6 GHz Compact Embedded Box IPC |
| ARK-3420F-U0A1E | Mobile Intel Celeron 550 2.0 GHz Compact Embedded Box IPC |

Optional Items

| Part Number | Description |
|-------------|---|
| 1757002161 | AC-to-DC Adapter, DC19 V/7.89 A 150 W, with Phoenix Power Plug, 0 ~ 40° C for Home and Office Use |
| 1702002600 | Power Cable 3-pin 180 cm, USA type |
| 1700004713 | Cable DVI-I to DVI-D and CRT |
| 1700009398 | LVDS Cable for ARK-3420 |
| 1700009396 | LVDS power Cable for ARK-3420 |
| 1700009399 | Digital I/O Cable for ARK-3420 |
| 1700009397 | Printer Cable for ARK-3420 |
| AMO-R002E | 2 slot riser card, 2 x PClex1 |
| AMO-R003E | 2 slot riser card, 2 x PCI |
| AMO-R005E | 2 slot riser card, 1 x PClex1 + 1 x PCI |

Embedded OS

| Part Number | Description |
|-------------|--|
| 2070006511 | Windows XP WES for ARK-3420 V4.0 ENG |
| 2070006512 | Windows XP WES for ARK-3420 V4.0 ENG_CHT_CHS_JPN |
| 2070006513 | Windows XP WES for ARK-3420 V4.0 ENG_FRE_GER_ITA |
| 2070006510 | Windows CE 6.0 Pro ARK-3420 V1.1 ENG |



www.L-TronDirect.com

800-830-9523

info@L-Tron.com

596 Fishers Station Dr | Victor, NY | 14564 | Suite 1 A

www.L-Tron.com

Get in touch with us
on social media!

