

# IPC-5120/7120

## Desktop/Wallmount Chassis with front I/O Interfaces for ATX/mATX Motherboard

### Revision



IPC-5120

IPC-7120



### Features

- With front I/O interface and four to seven expansion slots
- Shockproof drive bay for one 5.25" ODD and two 3.5" HDDs
- LED indicators for power status and HDD activity
- Support four to seven half-size add-on cards

### Specifications

		External	Internal
Drive Bay	5.25"	1	-
	3.5"	1	1
Cooling	Fans	1 (12 cm / 85 CFM) + 1 (4 cm / 10 CFM)	
	Air Filter	Yes	
Miscellaneous	LED Indicators	Power status and HDD activity	
	Control	Power switch and system reset button	
Environment	Temperature	Operating 0 ~ 40° C (32 ~ 104° F)	Non-Operating -20 ~ 60° C (-4 ~ 140° F)
	Humidity	10 ~ 85% @ 40° C, non-condensing	
	Vibration (5 ~ 500 Hz)	1 Grms	2 G
	Shock	10 G (with 11 ms duration, half sine wave)	30 G
	Dimensions (W x H x D)	IPC-5120: 320 x 164 x 316.5 mm (12.6" x 6.5" x 12.5") IPC-7120: 380 x 164 x 316.5 mm (15" x 6.5" x 12.5")	
Physical Characteristics	Weight	IPC-5120: 8.0 kg (17.6 lb)	IPC-7120: 9.0 kg (19.8 lb)

### Front View

#### IPC-5120



#### IPC-7120



### Inside View



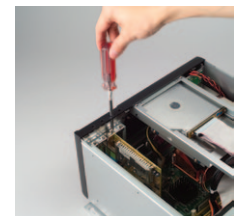
Easy-to-maintain fan filter



Shock-resistant drive bay for holding an internal 3.5" HDD



Plug ring-lock securely fastens the power cord

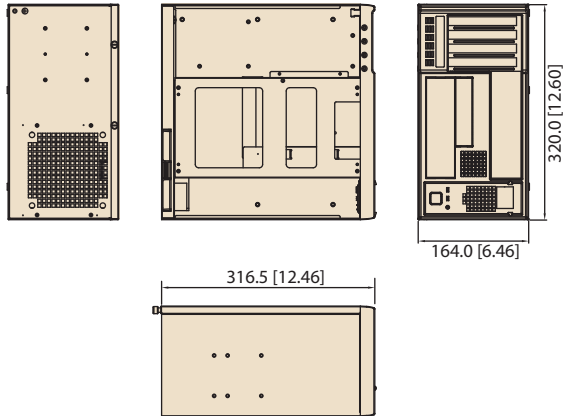


User-friendly mechanical design for installing an add-on card

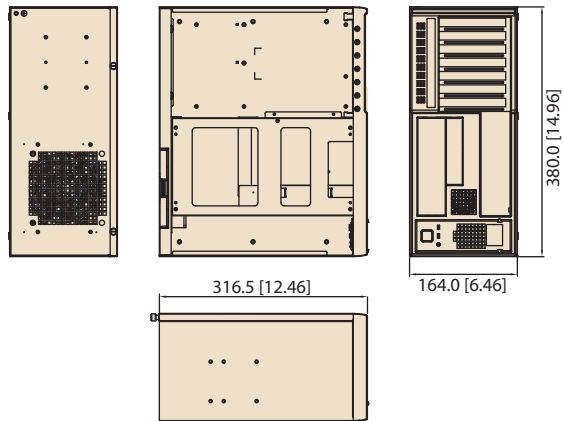
## Dimensions

Unit: mm [inch]

### IPC-5120



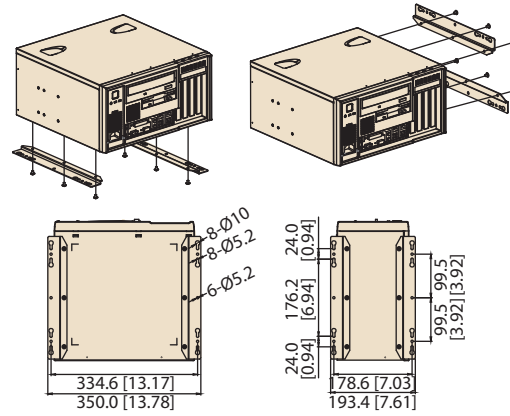
### IPC-7120



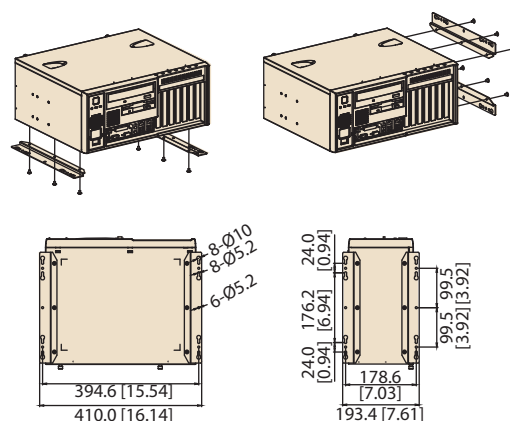
## Installation

Unit: mm [inch]

### IPC-5120



### IPC-7120



## Ordering Information

Part Number	Description
IPC-5120-00CE	W/O PSU , with ATX switch
IPC-7120-00CE	W/O PSU , with ATX switch

## Power Supply Options

Part Number	80 Plus Grade	Wattage	Type	Input
PS8-250FATX-XE	Bronze	250W	Single	AC 100~240V (full range)
PS8-350FATX-XE	Bronze	350W	Single	AC 100~240V (full range)



[www.L-TronDirect.com](http://www.L-TronDirect.com)

800-830-9523

[info@L-Tron.com](mailto:info@L-Tron.com)

596 Fishers Station Dr | Victor, NY | 14564 | Suite 1 A

[www.L-Tron.com](http://www.L-Tron.com)

