

IPC-5122

Desktop/Wallmount Chassis for MicroATX Motherboard



Features

- Shockproof drive bay for slim ODD and 3.5" or 2.5" HDD
- Lockable front door prevent unauthorized access
- LED indicators for system fault detection
- Easy-to-maintain system fan and reusable air filter

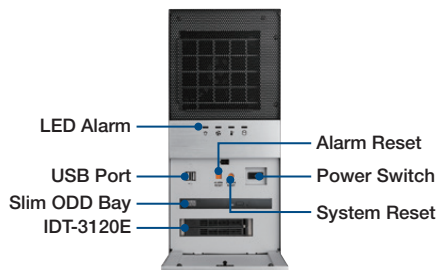
Quiet

Specifications

CE FCC RoHS COMPLIANT PRODUCT

Drive Bay	Slim Optical Drive	Front-accessible	Internal
	3.5"	1	1
Cooling	Fan	1 (12 cm / 85 CFM)	
	Air Filter	Yes	
Front I/O Interface	USB	2	
Miscellaneous	LED Indicators	Power, HDD, fan and temperature	
	Control	Power switch, alarm reset and system reset buttons	
	Rear Panel	Six 9-pin D-Sub openings	
Environment	Temperature	Operating: 0 ~ 40° C (32 ~ 104° F) Non-Operating: -20 ~ 60° C (-4 ~ 140° F)	
	Humidity	10 ~ 85% @ 40°C, non-condensing	10 ~ 95% @ 40° C, non-condensing
	Vibration (5 ~ 500 Hz)	1 Grms	2 G
	Shock	10 G (with 11 ms duration, half sine wave)	30 G
	Physical Characteristics	Dimensions (W x H x D)	157 x 360 x 340 mm (6.2" x 14.2" x 13.4")
	Weight	6.5 kg (14.3 lb)	

Front View



Inside view



Rear view



Note: Hot swap drive bay module and Slim ODD should be bought separately.



Easy-open door

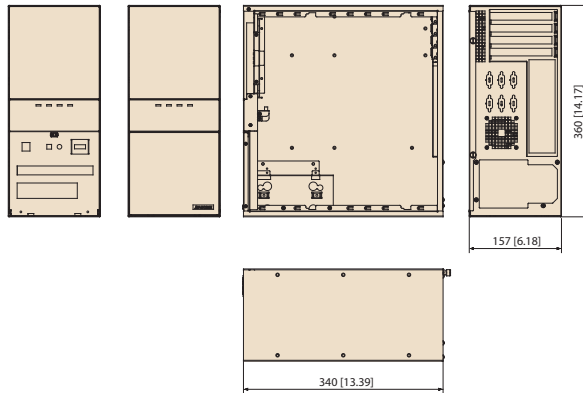


Gently press the hook to pull the air filter out



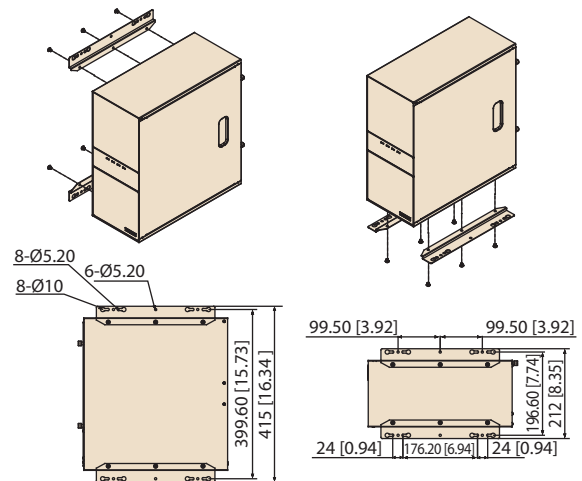
Dimensions

Unit: mm [inch]



Installation

Unit: mm [inch]



Ordering Information

Part Number	Power Supply
IPC-5122-00XE	Without power supply, with ATX switch

Power Supply Options

(For detailed power supply specs, please refer to Chapter 13)

Part Number	Specifications	
	Watts	Input
PS8-300ATX-ZBE (ATX, PFC)	300W	AC100~240V (full-range)
PS8-400ATX-ZE (ATX, PFC)	400W	AC100~240V (full-range)

Optional Accessories

Part Number	Description
IDT-3120E	Mobile rack for converting a 3.5" drive bay to dual 2.5" SATA HDD trays



www.L-TronDirect.com

800-830-9523

info@L-Tron.com

596 Fishers Station Dr | Victor, NY | 14564 | Suite 1 A

www.L-Tron.com

Get in touch with us
on social media!

