

PPC-125T

12" Panel PC with Intel® Core™2 Duo Processor



Features

- 12.1" TFT XGA (1024 x 768) LCD Panel
- Intel® Core™2 Duo processor up to 2.16 GHz
- System memory up to 4 GB (DDR2 200-pin SODIMM socket x 2)
- 1 x PCI slot or 1 x PCIe slot (both optional)
- One Mini PCIe slot
- Built-in CF card interface (IDE interface for OS booting)
- Two Gigabit Ethernet ports, support LAN teaming
- One RS-232/422/485; (supporting Auto-flow control, selecting by BIOS)



Introduction

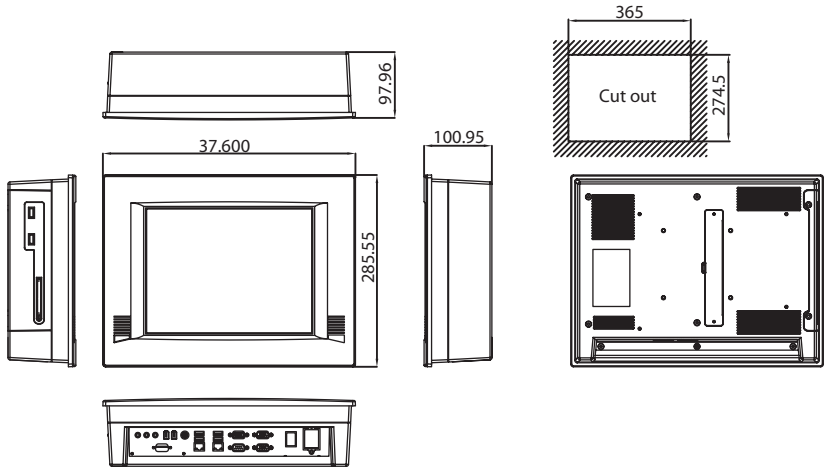
The PPC-125T is an Intel Core 2 Duo based Panel PC with 12.1" color TFT LCD. It features multimedia devices, various connectors, and can be installed in virtually any application. In addition, its user-friendly interface makes it a great host for information appliances. Four serial COM supports auto-flow control PPC-125T advanced networking capabilities, and provides a great solution for versatile applications.

Specifications

Processor System	CPU	Supports mSocket 478 based Core 2 Duo up to 2.16 GHz	
	CPU FSB	533/667 MHz	
	Chipset	945GME + ICH7M	
	Disk Drive Housing	Room for 1 x 2.5" SATA HDD	
	Dimensions (W x H x D)	376 x 285.55 x 100.95 mm (14.80" x 11.24" x 3.97")	
	Front Panel Protection	IP65 compliant	
	Weight	5.6 kg (12.33 lb)	
	HDD	SATA HDD interface (2.5" HDD bay)	
	DVD+/-RW Drive	Optional external module with SATA DVD-RW Drive	
	Memory	Socket x 2, supports up to 4 GB DDR2 SDRAM 200pin SODIMM	
Network (LAN)	2 x Gigabit Ethernet ports, support both wake on LAN and boot from LAN functions.		
	I/O Ports	- 4 x COM ports: 3 x RS-232, 1 x RS-232/422/485 - 6 x USB 2.0 ports - 1 x PS/2 mouse and keyboard interface - MIC in / Line in / Line out port, 1 W speakers - 2 x Gigabit Ethernet ports - 1 x D-SUB VGA port	
OS Support	Bus Expansion	PCI riser card & PCIe riser card are available as options, 1 x Mini PCI socket, 1 x Mini PCIe socket	
	OS Support	Win XPE, Win XP Pro, WES7 with 32 bit, WES7 with 64 bit (only for T7400 CPU)	
Environmental Specifications	Operating Temperature	0 ~ 50°C (32 ~ 122°F)	
	Relative Humidity	10 ~ 95% @ 40°C non-condensing	
	Shock	Operating 10 G peak acceleration (11 ms duration), follows IEC 60068-2-27	
	Vibration	Operating Random Vibration Test 5~500Hz, 1Grms, follow IEC 60068-2-64	
	EMC	BSMI, CE, FCC Class B, CCC	
	Safety	CB, CE, UL	
Power Supply	AC Model	Output Rating	150 W (max.)
		Input Voltage	100 ~ 240 V _{ac} , 50 ~ 60 Hz, 2 ~ 4 A
		Output Voltage	+3.3 V @ 4.5 A, +5 V @ 8.5 A, +12 V @ 7.0 A, +5 Vsb @ 1.5 A, -12 V @ 0.3 A
LCD Display	Display Type	Color TFT LCD	
	Size (Diagonal)	12.1"	
	Max. Resolution	1024 x 768	
	Max. Colors or Grayscales	262 K	
	Pixel Pitch (mm)	0.240 x 0.240	
	Luminance (cd/m ²)	450	
	Contrast Ratio	700 : 1	
	Viewing Angle	80°(left), 80°(right), 80°(up), 80°(down)	
Operating Temperature	-30 ~ +70°C		
LCD MTBF	50,000 hrs		
Touchscreen (optional)	Type	5-wire Analog Resistive (USB interface)	

Dimensions

Unit: mm



Ordering Information

Part No.	Description
PPC-125T-BAREE	12.1" Core 2 Duo Panel PC without T/S
PPC-125T-BARE-TE	12.1" Core 2 Duo Panel PC with Resi. T/S
PPC-125-STANDE	Stand kit for PPC-125 series
PPC-174T-WL-MTE	Wall mount kit for PPC series
PPC-ARM-A03	PPC ARM VESA Standard
989K012500E	PCI-e riser card with rear add-on box with 1 x Slim SATA ODD bay
989K012502E	DVD-RW Drive Module for PPC-125 with 1 x PCI-e slot
989K012503E	PCI riser card with rear add-on box with 1 x Slim SATA ODD bay
1702002605	POWER CABLE 90D 220V EUROPEAN 250V/6A 1.8M
1702002600	Power Cable UL/CSA (USA) 180D 125V10A 1.83M
2070006629	XPE FP2007 PPC-125T V3.01 (ENG/JPN/Simplified Chinese/Traditional Chinese), 4 languages with SUSI Access
2070006569	Image XPE FP2007 PPC-125T V3.01 ENG
2070011330	IMG XPE WES09 PPC-125T V4.0 24 multi-languages with SUSI Access

Feature Details

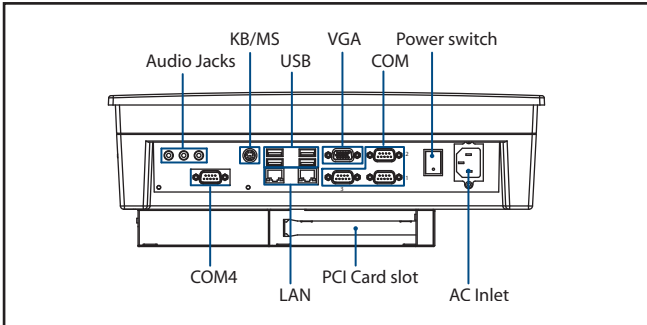
Protection

To meet the requirements of a public environment, the front panel PPC-125T complies with the IP65 protection standard. Furthermore, the watchdog timer and power management features make the system secure and stable. The onboard hardware monitoring feature provides an automatic protection function, which prevents the CPU from becoming overheated.

Expansion

To extend functionality, the PPC-125T is designed with either one expansion slot for PCI card or PCIe card and six USB 2.0 (Universal Serial Bus) ports. With these expansion capabilities, the PPC-125T not only functions as an HMI, but also as a computing center on which to build your applications.

I/O Appearance





www.L-TronDirect.com

800-830-9523

info@L-Tron.com

596 Fishers Station Dr | Victor, NY | 14564 | Suite 1 A

www.L-Tron.com

Get in touch with us
on social media!

