

PPC-L157T

15" Fanless Panel PC with Intel® Atom™ N270 Processor



Features

- 15" TFT XGA LCD with optional resistive touchscreen
- Embedded Intel® Atom™ processor N270 1.6 GHz
- System memory up to 2 GB DDR2 SDRAM
- Supports one internal SATA 2.5" HDD
- Supports six USB 2.0 ports (4 external/ 2 internal), Dual Gigabit Ethernet
- Optional PCI/PCIe x 1 expansion kit
- Fanless and ultra-low power consumption
- Optional smart battery module
- Automatic data flow control over RS-485 (COM2)



Introduction

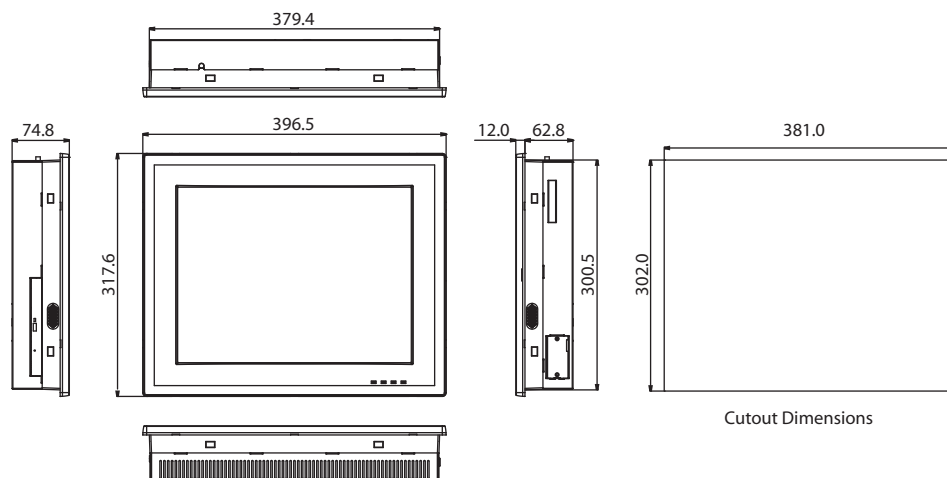
The PPC-L157T is a 15" Fanless panel PC that delivers high performance while consuming low power. The PPC-L157T operates with low noise and provides display resolutions up to 1024 x 768 (XGA) pixels. The PPC-L157T is equipped with dual Gigabit Ethernet connectors supporting either failover or LAN teaming. Advantech's customization services and optional accessories including wireless modules, battery packs, and SATA optical devices, allow system integrators to design tailor-made solutions to a host of industrial applications.

Specifications

Processor System	CPU	Intel Atom Processor N270 1.6 GHz	
	CPU Front Side Bus	533 MHz	
	Chipset	Intel 945GSE + Intel ICH7M	
	Secondary Cache	512 KB L2 Cache	
	Memory	200-pin DDR2 533 MHz SODIMM x1 Up to 2 GB, Compatible with 667 MHz	
	DVD±/RW	989KL15702E	
	SSD	Supports one CompactFlash Type II, socket	
	HDD	One internal SATA interface- 2.5" Type	
	Network (LAN)	2 x 10/100/1000 Mbps (RJ-45)	
	Fully Integrated I/O and Speakers	3 Serial Ports: RS-232 x 2, RS-232/422/485 x 1; 1 GPIO port 1 VGA Port ; PS/2 Mouse and Keyboard Line-in/ Line-out/ Mic-in Built-in 1W x 2 speakers, USB 2.0 ports x 4	
	Bus Expansion	1 x expansion slot for PCI/PCIe card 1 x MINI PCIe slot	
	Front Panel Protection	IP65 compliant	
Weight	6 kg (13.2 lb)		
Dimensions (W x H x D)	396.5 x 317.6 x 74.8 (15.6" x 12.5" x 2.95")		
OS Support	Win XPE / Win XP Pro / WES7 32 bit / Windows 7 32bit		
Power Supply	12 ~24 Vdc, 15-24 VDC with battery pack		
LCD Display	Display Type	15" Color TFT LCD (LED backlight)	
	Max. Resolution	1024 x 768	
	Colors	262 K	
	Pixel Pitch (mm)	0.297 x 0.297	
	Viewing Angle	160°/130°	
	Luminance (cd/m ²)	350	
	Backlight Lifetime	50,000 hours	
Touchscreen (optional)	Type	Analog Resistive 5 wires (ELO) (for R80)	Analog Resistive 5 wires (AMT), Anti-Corrosive type (for R81)
	Resolution	2048 x 2048	2048 x 2048
	Light Transmission	80 %	80 %
	Controller	USB Interface	RS-232 Interface (COM4)
	Durability (Touches)	35 million	35 million
Environmental Specifications	Operating Temperature	0-50°C (32-122°F); 0-35°C with battery pack	
	Relative Humidity	10 ~ 95 % @ 40°C, non-condensing	
	Shock	Operating 10 G peak acceleration (11 ms duration), follows IEC 60068-2-27	
	Vibration	Operating Random Vibration Test 5-500Hz, 1Grms, follows IEC 60068-2-64	
	EMC	CE, FCC Class B, BSMI	
	Safety	CE CB, UL, BSMI, CCC, VCCI	

Dimensions

Unit: mm

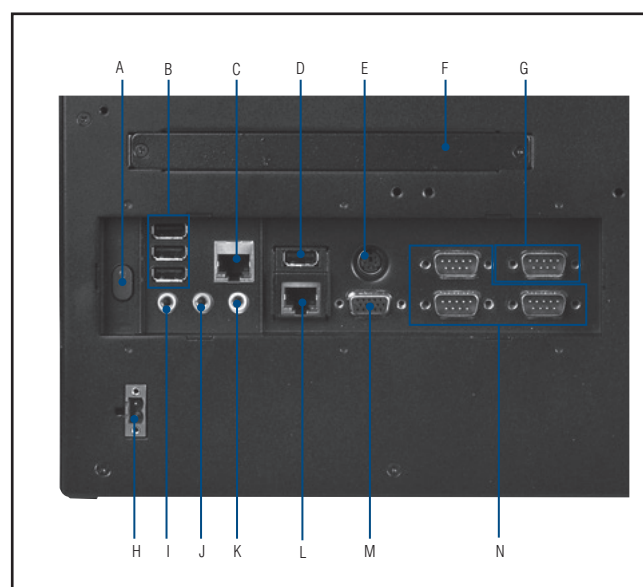


Cutout Dimensions

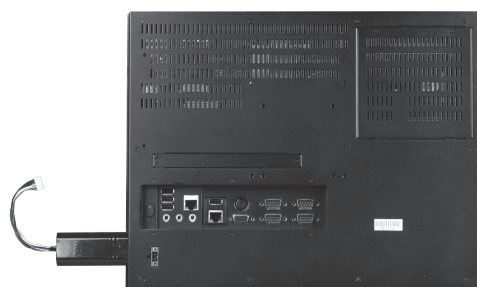
Ordering Information

Part NO	Description
PPC-L157T-080-XE	Intel Atom processor N270 1.6 GHz fanless panel PC with 15" TFT LCD
PPC-L157T-R80-XE	PPC-L157T-080-XE with resistive touchscreen
PPC-L157T-RXPE0E	PPC-L157T with 1G memory/Windows XPE on 160G HDD
PPC-ARM-A03	VESA Stand ARM for PPC series
PPC-174T-WL-MTE	Wall mount kit for PPC series
PPC-L157-STANDE	Stand desktop stand for PPC-L157T
PPC-L157-EXPE	PCI/PCIe expansion kit for PPC-L157
PS-DC19-L157E	19V DC power adapter module for PPC-L128/PPC-L157
1760001580	Battery PACK 11.1V 4.4AH 3S2P (only for PPC-L157T-R81-XE)
1700001524	Power cord 3P UL 10A 125V 1.8M
989KL15700E	Wireless Module for PPC-L157T Series
989KL15702E	Slim type DVD-RW Module for PPC-L157T Series
PPC-L157T-R81-XE	Intel Atom processor N270 1.6 GHz fanless panel PC with 15" TFT LCD and AMT Anti-Corrosive touchscreen (LED backlight)
2070009824	XPE WES2009 for PPC-L157T V4.0 24MUI (for R80)
2070011575	XPE WES2009 V4.0, 24 multi-languages with SUSI Access (for R81)

I/O Appearance



- A. Main power switch
- B. USB 2.0 x 3
- C. Ethernet jack
- D. USB 2.0
- E. PS/2 mouse and keyboard
- F. PCI/PCI-E expansion slot cover
- G. GPIO port
- H. DC inlet
- I. Line-in jack
- J. Line-out jack
- K. Mic-in jack
- L. Ethernet jack
- M. VGA port
- N. Serial ports





www.L-TronDirect.com

800-830-9523

info@L-Tron.com

596 Fishers Station Dr | Victor, NY | 14564 | Suite 1 A

www.L-Tron.com

Get in touch with us
on social media!

