

PPC-L61T

6.5" Fanless Panel PC with AMD Geode™ LX800 Processor



Features

- 6.5" TFT VGA LCD (LED Backlight)
- AMD Geode LX800 CPU on board
- System memory up to 1 GB DDR SDRAM
- One CompactFlash® Type I/II socket (True IDE Mode)
- Microsoft® Windows® CE 6.0 and XP Embedded available
- Fanless and ultra-low power consumption
- Adjust RS-232/422/485 through BIOS
- Aluminum Front Bezel
- Automatic data flow control over RS-485



Introduction

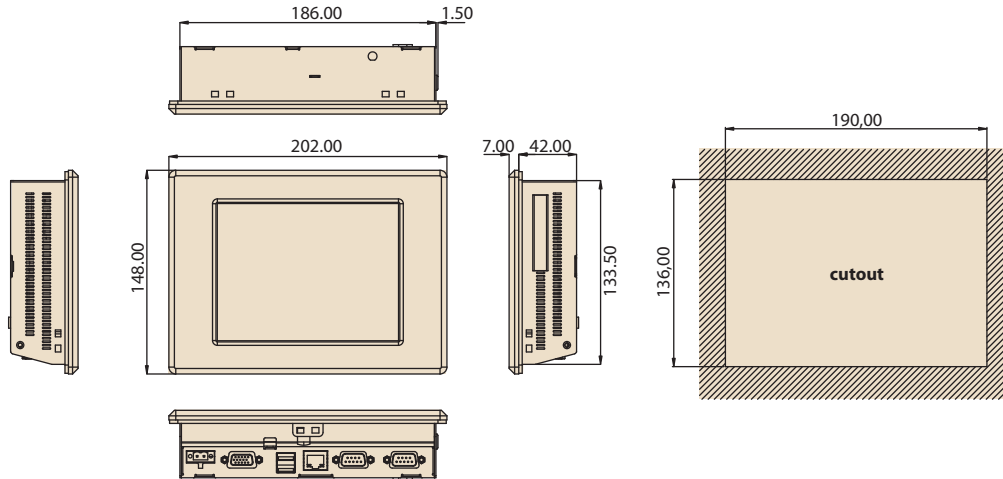
PPC-L61T is a 6.5" industrial-grade Panel PC (PPC) for small interface requirements such as Human Machine Interfaces (HMI) or Multifunctional Products (MFP). PPC-L61T is highly reliable because it incorporates a low power CPU that does not need a cooling fan. The robust aluminum makes this interface suitable for long-term solutions, and especially suitable for environments such as chemical and food processing plants. PPC-L61T comes with an embedded OS for faster application development, so driver development and customization of images do not slow down project implementation.

Specifications

Processor System	CPU	Onboard AMD Geode LX800 (500 MHz)
	Memory	1 x 200-pin SODIMM socket that accepts a 256/512/1024 MB
	2nd Cache Memory	128 KB on-die
	Chipset	AMD Geode CS5536
	BIOS	4 Mbit Flash BIOS
	SSD	One type I/II CompactFlash socket
		PPC-L61T-CE-RTE comes with one 256 MB built-in CompactFlash card
	HDD	1 x 2.5" external SATA HDD module (Optional)
	I/O Ports	- 2 x Serial ports: RS-232 x 1, RS-232/422/485 x 1 - 4 x USB ports (2 x external, 2 x internal) - 1 x VGA port
	Bus Expansion	1x MINI PCI expansion slot
	Network (LAN)	10/100 Mbps Ethernet
	Watchdog Timer	255 timer levels; setup by software
	Dimensions (W x H x D)	202 x 148 x 49 (7.9" x 5.82" x 1.92")
Weight	1.2 kg (2.64 lb)	
OS Support	Microsoft	Windows XPe, CE, XP
Power Supply	Input Voltage	12 V _{DC} ~ 30 V _{DC} , 2.5 A max
LCD Display	Display Type	6.5" TFT LCD (LED Backlight)
	Max. Resolution	640 x 480
	Colors	262 K
	Dot Size (mm)	0.207 X 0.207
	Viewing Angle	80 (left), 80 (right), 70 (up), 70 (down)
	Luminance	700
	Brightness Control	Yes (by BIOS)
	Operating Temperature	-30 ~ 85° C (-22 ~ 185°F)
Backlight Lifetime	50,000 hrs	
Touchscreen	Type	Analog Resistive 4 wires
	Resolution	2048 x 2048
	Light Transmission	80%
	Controller	RS232 interface
	Software Driver	Supports Windows XP, CE
	Durability (Touches)	10 million

Dimensions

Unit: mm



Specifications

Environmental Specifications	Operating Temperature	0 ~ 50° C (32 ~ 122° F)
	Storage Temperature	-20 ~ 60° C (-4 ~ 140° F)
	Relative Humidity	10 ~ 95% @ 40° C (non-condensing)
	Shock (Operating)	10 G peak acceleration (11 ms duration)
	Vibration	1 G
	EMC	BSMI, CE, FCC Class B, VCCI
	Safety	CB, CCC, BSMI, UL
	Front Panel Protection	IP65 compliant

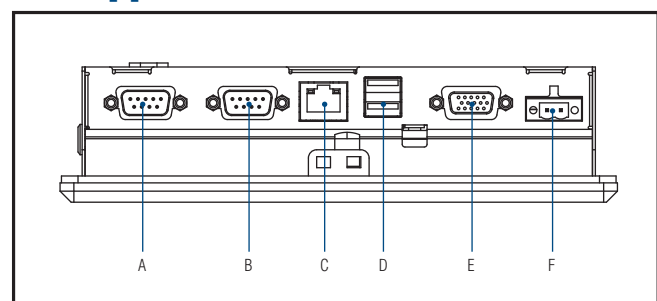
Ordering Information

Part No.	Description
PPC-L61T-071-XE	AMD LX800 500 MHz processor-based fanless Panel PC with 6.5 inch TFT LCD (LED Backlight)
PPC-L61T-R71-XE	PPC-L61T-070-XE with resistive touchscreen (LED Backlight)
PPC-L61T-CE1-RTE	PPC-L61T-R71-XE with Windows CE.Net (English) on 256 MB CompactFlash (LED Backlight)

Accessories

Part No.	Description
PS-DC19-L157E	19 V _{DC} power adapter module for PPC-L128/ PPC-L157T
PPC-174T-WL-MTE	Wall mount kit for PPC series
989KL61T00E	HDD kit for PPC-L61T (SATA Interface)
989KL12709E	Wireless LAN Module for PPC-L127T
1700001524	POWER Cord 3P UL 10A 125V 180cm
170203183C	POWER Code 3P Europe (WS-010+083)183cm
1700008921	POWER CORD 3P/3P POWER SUPPLY 1.8M PSE

I/O Appearance



- A. Serial Ports (RS-232/422/485)
- B. Serial Ports (RS-232)
- C. Ethernet Jack
- D. USB 2.0 X 2
- E. VGA port
- F. DC inlet



www.L-TronDirect.com

800-830-9523

info@L-Tron.com

596 Fishers Station Dr | Victor, NY | 14564 | Suite 1 A

www.L-Tron.com

Get in touch with us
on social media!

