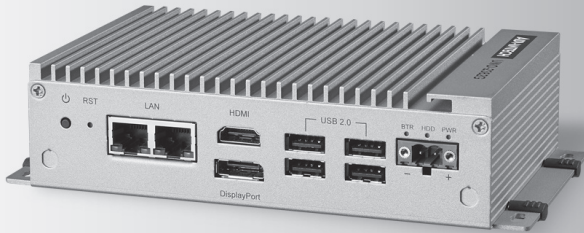


UNO-2362G

AMD® Dual Core T40E Small-Size Automation Computer w/ 1 x GbE, 1 x mPCIe, HDMI/DP

NEW



Introduction

Advantech's UNO-2000 series of Embedded Automation Computers are Fanless with highly ruggedised with an embedded operating system (Windows CE, Windows XPE, Linux-Embedded). It also includes iDoor technology which supports automation feature extensions such as industry fieldbus communication, Wi-Fi/3G, Digital I/O, including Palm, Small, and Regular-size Form-Factors with indicated market segments in terms of entry, value and performance product positioning. Both entry and value Embedded Automation Computers feature specific functions and they are suitable for data gateway, concentrator and data server applications. The performance model can shorten your development time and offer multiple networking interfaces to fulfill a diverse range of requirements.

Specifications

General

- **Certification** CE, FCC, UL, CCC, BSMI
- **Dimensions (W x D x H)** 190 x 107 x 47 mm (7.5" x 4.2" x 1.8")
- **Form Factor** Small Size
- **Enclosure** Aluminum Housing
- **Mounting** Stand, Wall, VESA (Optional)
- **Weight (Net)** 1.0kg (2.2lbs)
- **Power Requirement** 24V_{dc} ±15%
- **Power Consumption** 14W (Typical), 24W(Max)
- **OS Support** Microsoft® Windows XP/7/8 WES7
Linux Fedora

System Hardware

- **BIOS** AMI UEFI 32Mbit Flash BIOS
- **Watchdog Timer** Programmable 256 levels timer interval, from 1 to 255 sec
- **Processor** AMD® G-series T40E 1.0GHz dual core, 512MB
- **System Chip** AMD® A50M FCH
- **Memory** On-board 2GB DDR3 833/1066 MHz
- **Graphics Engine** AMD Radeon™ HD 6250 DirectX® 11 graphics with UVD 3.0 2D/3D Accelerator
- **Ethernet** Realtek RTL8111E, Marvell 88E6172 Giga Ethernet switch with daisy chain technology
- **LED Indicators** LEDs for Power, battery, LAN (Active, Status) and HDD
- **Storage** One mSATA drive
One drive bay for SATA 2.5" HDD (Compatible with 9.5mm height HDD)
Note: iDoor technology isn't compatible with HDD storage.
CFast drive by iDoor Technology (Optional)
- **Expansion** 1 x Full-size mPCIe slot, mPCIe 2.0 (supports SIM card)

I/O Interfaces

- **Serial Ports** 1x RS-232, DB9, 50-115.2kbps
1x RS-485, DB9, auto flow control, 50-115.2kbps
2x RJ45, 10/100/1000 Mbps IEEE 802.3u 1000Base-T Fast Ethernet
- **LAN Ports**
- **USB Ports** 4x USB 2.0 Compliant
- **Displays** 1x DisplayPort 1.1, supports 1920x1200 (HD 6250) @ 30 bpp
1x HDMI v1.3, supports 1920x1080p @ 36 bpp
- **Power Connector** 1x 2 Pins, Terminal Block
- **Grounding Protection** Chassis Grounding

Features

- Onboard AMD(R) Dual Core T40E 1.0GHz processors with 2GB DDR3 SO-DIMM Memory
- 1 x GbE, 4 x USB 2.0, 1 x RS-232, 1 x RS-485, 1 x DP, 1 x HDMI
- Comprehensive Palm, Small, Regular-size form-factor
- Compact with Fanless Design
- Rubber Stopper Design with Captive Screw
- Daisy-Chain for Ethernet with auto-bypass protection enabled
- Dual HDD/SSD support with RAID 0/1 in regular-size
- Diverse system IO and Isolated Digital IO by iDoor Technology
- Supports Fieldbus Protocol by iDoor Technology
- 3G/GPS/GPRS/WiFi Communication by iDoor Technology
- Supports Battery-backup MRAM by iDoor Technology
- Chassis Grounding Protection

Environment

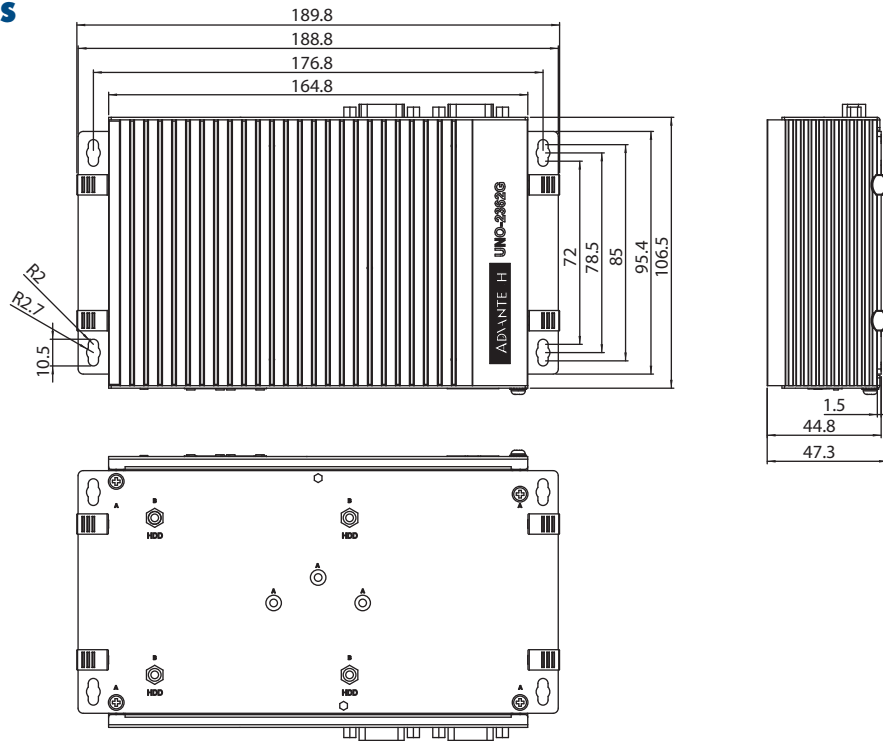
- **Operating Temperature** - 10 ~ 60°C (14 ~ 140°F) @ 5 ~ 85% RH with 0.7m/s airflow
- **Storage Temperature** - 40 ~ 85°C (-40 ~ 185°F)
- **Relative Humidity** 10 ~ 95% RH @ 40°C, non-condensing
- **Shock Protection** Operating, IEC 60068-2-27, 50G, half sine, 11ms
- **Vibration Protection** Operating, IEC 60068-2-64, 2Grms, random, 5 ~ 500Hz, 1hr/axis (mSATA)
Operating, IEC 60068-2-64, 0.75Grms, random, 5 ~ 500Hz, 1hr/axis (HDD)
- **Ingress Protection** IP40

Application Software

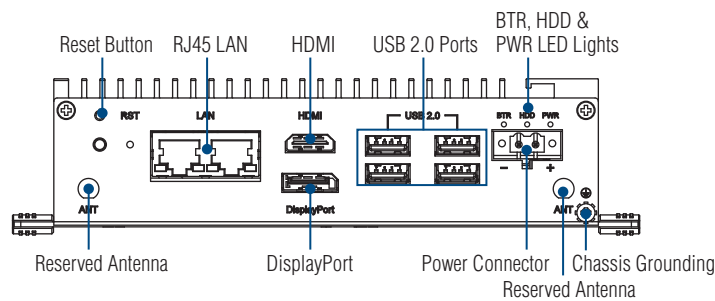
	Version : V2.1 or above An innovative remote device management software, allowing efficient remote monitoring, quick recovery & backup, and real-time remote configuration, to create a more intelligent and interconnected embedded computing solution.
	Version : V7.1 or above WebAccess, as the core of Advantech's IoT solution, is full web browser-based software package for HMI and SCADA software. All HMI and SCADA software features including: Animated Graphics Displays, Real-time Data, Control, Trends, Alarms and Logs, are available in a standard web browser. WebAccess is built around the latest internet technologies. With its open architecture, vertical domain applications can easily be integrated.
	Version : V2.0.3.8 or above Panel Express, a windows based HMI mini SCADA, realizes the cross platform flexibility offered by WebOP Designer to switch hardware for the consideration of cost and performance become an easy job. Panel Express software provides the best economic and express solution for data intensive high-end HMI applications.
	Version : V2.0.3.8 or above An easy to use integrated development tool featuring solution-oriented screen objects, high-end graphics, Windows fonts for multi-language applications. WebOP runtime, a part of WebOP Designer, guarantees reliability and performance because of the minimum system overhead, high communication data rates, and sub-second screen switching.

Dimensions

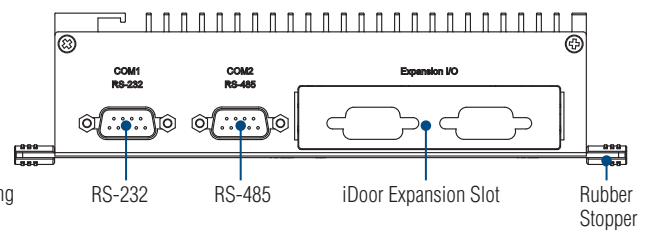
Unit: mm



Front IO View



Rear IO View



Ordering Information

- **UNO-2362G-T2AE** AMD G-series T40E 1.0GHz, 2GB, 1 x GbE, 1 x mPCIe, HDMI/DP

iDoor Modules

- **PCM-2300MR-AE** MR4A16B, 2MByte
- **PCM-26D1PB-AE** HiLScher netX100 FieldBus, ProfiBus, DB9 x 1
- **PCM-26D2CA-AE** SJA1000 CANBus, CANOpen, DB9 x 2
- **PCM-24D2R4-AE** OXPcIe-952 UART, Isolated RS-422/485, DB9 x 2
- **PCM-24D2R2-AE** OXPcIe-952 UART, Isolated RS-232, DB9 x 2
- **PCM-24D4R4-AE** OXPcIe-954 UART, Non-Isolated RS-422/485, DB37 x 1
- **PCM-24D4R2-AE** OXPcIe-954, UART, Non-Isolated RS-232, DB37 x 1
- **PCM-27D24DI-AE** Digital I/O, 16DI / 8DO, DB37 x 1

Accessories

- **1757002321** 63W, AC-DC, 100-240V, 24VDC 2.62A Power Supply
- **1702002600** Power Cable US Plug 1.8 M
- **1702002605** Power Cable EU Plug 1.8 M
- **1702031801** Power Cable UK Plug 1.8 M
- **1700000596** Power Cable China/Australia Plug 1.8 M

Embedded OS & Automation Software

- **2070012411** Image WES7P MUI. V4.12 for UNO-2362G
- **968WEXP003X** PanelExpress V2.0 300 tags S/W license
- **968WEXP015X** PanelExpress V2.0 1500 tags S/W license
- **968WEXP050X** PanelExpress V2.0 5000 tags S/W license



www.L-TronDirect.com

800-830-9523

info@L-Tron.com

596 Fishers Station Dr | Victor, NY | 14564 | Suite 1 A

www.L-Tron.com

Get in touch with us
on social media!

