

ADAM-4060 ADAM-4068 ADAM-4069

4-ch Relay Output Module

8-ch Relay Output Module with Modbus 8-ch Power Relay Output Module with Modbus



ADAM-4060



ADAM-4068



ADAM-4069



Specifications

General

- Connectors 2 x plug-in terminal blocks (#14 ~ 22 AWG)
- Power Consumption 0.8 W @ 24 V_{DC}
- Watchdog Timer System (1.6 second)
- Supported Protocols ASCII command

Relay Output

- Breakdown Voltage 500 V_{AC} (50/60 Hz)
- Channels 2 x Form A
2 x Form C
- Contact Rating (Resistive) 0.6 A @ 125 V_{AC}
0.3 A @ 250 V_{AC}
2 A @ 30 V_{DC}
0.6 A @ 110 V_{DC}
- Initial Insulation Resistance 1 G Ω min. at 500 V_{DC}
- Relay off Time (Typical) 2 ms
- Relay on Time (Typical) 3 ms
- Maximum Operating Speed 20 operations/min (at related load)

Specifications

General

- Connectors 2 x plug-in terminal blocks (#14 ~ 28 AWG)
- Power Consumption 0.6 W @ 24 V_{DC}
- Watchdog Timer System (1.6 second) & Communication
- Supported Protocols ASCII command and Modbus/RTU

Relay Output

- Breakdown Voltage 500 V_{AC} (50/60 Hz)
- Channels 4 x Form A
4 x Form C
- Contact Rating (Resistive) 0.5 A @ 120 V_{AC}
0.25 A @ 240 V_{AC}
1 A @ 30 V_{DC}
0.3 A @ 110 V_{DC}
- Initial Insulation Resistance 1 G Ω min. at 500 V_{DC}
- Relay off Time (Typical) 4 ms
- Relay on Time (Typical) 3 ms
- Maximum Operating Speed 50 operations/min (at related load)

Specifications

General

- Connectors 2 x plug-in terminal blocks (#14 ~ 28 AWG)
- Power Consumption 2.2 W @ 24 V_{DC}
- Watchdog Timer System (1.6 second) & Communication
- Supported Protocols ASCII command and Modbus/RTU

Relay Output

- Breakdown Voltage 1,000 V_{AC} (50/60 Hz)
- Channels 4 x Form A
4 x Form C
- Contact Rating (Resistive) 5 A @ 250 V_{AC}
5 A @ 30 V_{DC}
- Initial Insulation Resistance 1 G Ω min. at 500 V_{DC}
- Relay off Time (Typical) 5.6 ms
- Relay on Time (Typical) 5 ms
- Maximum Operating Speed 6 operations/min (at related load)

Common Specifications

General

- Power Input Unregulated 10 ~ 30 V_{DC}

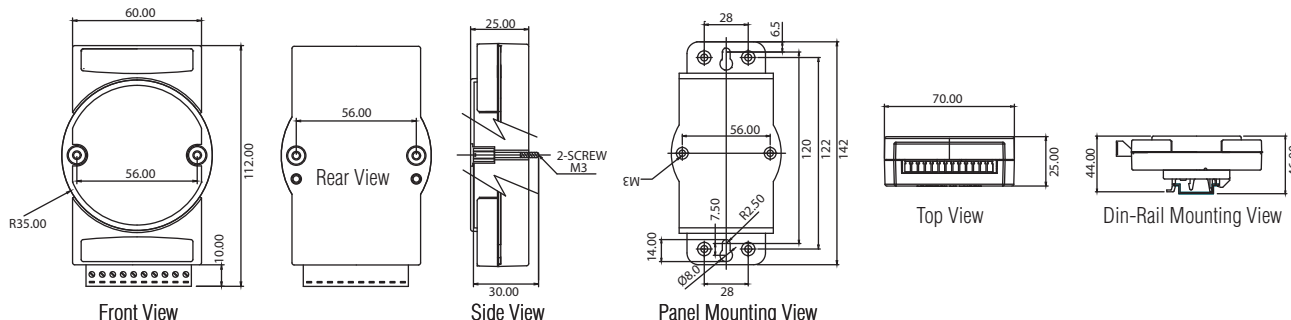
Environment

- Operating Humidity 5 ~ 95% RH
- Operating Temperature -10 ~ 70°C (14 ~ 158°F)
- Storage Temperature -25 ~ 85°C (-13 ~ 185°F)

Ordering Information

- ADAM-4060-DE 4-ch Relay Output Module
- ADAM-4068-BE 8-ch Relay Output Module with Modbus
- ADAM-4069-AE 8-ch Power Relay Output Module with Modbus

Dimensions





www.L-TronDirect.com

800-830-9523

info@L-Tron.com

596 Fishers Station Dr | Victor, NY | 14564 | Suite 1 A

www.L-Tron.com

Get in touch with us
on social media!

