

Industrial RS-422/485 Isolated Repeater

4850PDRI

B+B SMARTWORX

Powered by

ADVANTECH

www.advantech-bb.com



The 4850PDRI isolated RS-422/485 repeater is designed for rugged industrial environments. It is UL listed and certified for use in Class 1/ Division 2 locations. Powerful optical isolation on both data ports protects your equipment and data from damaging ground loops and surges. Additional isolation on the power supply circuits add a third degree of protection.

Packaged in a rugged ABS plastic case, this repeater operates in wide temperature extremes. With a 35mm DIN rail mounting bracket, it easily integrates into control panels or other industrial equipment.

Installation and configuration is easy with DIP switches to set up baud rate and serial communications mode. Removable terminal blocks make wiring a snap. Power is connected through separate terminal block that accepts 10 to 48 VDC from any external source.

ACCESSORIES

MDR-20-24 - DIN rail mount power supply 24VDC, 1.0 A output power

MDR-40-24 - DIN rail mount power supply 24VDC, 1.7 A output power

DRPM25 - 35mm DIN rail to Panel Mount Bracket, 25mm wide

EK-CLIP-MPC - DIN rail clip for enclosure

PRODUCT FEATURES

- Supports data rates up to 115.2 Kbps
- Extends signal 1,200 m (4,000 feet)
- Wide -40 to +80°C temperature range
- 10 to 48 VDC input power range
- 2000 V, 3-way optical isolation
- UL Class 1/Division 2 Listed
- Built-in, switchable termination & bias

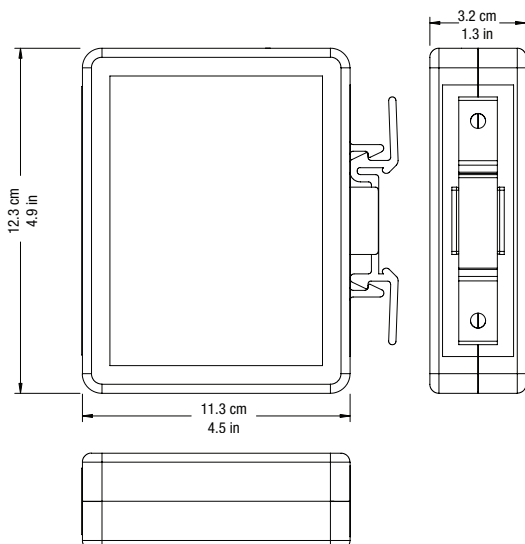
ORDERING INFORMATION

MODEL NUMBER	DESCRIPTION
4850PDRI	Industrial RS-422/485 Isolated Repeater

SPECIFICATIONS

SERIAL TECHNOLOGY	
RS-422	TDA(-), TD(B+), RDA(-), RDB(+)
RS-485 4-Wire	TDA(-), TD(B+), RDA(-), RDB(+)
RS-485 2-Wire	Data A(-), Data B(+)
Serial Connector	5 Position, Removable Terminal Block
Data Rate	2.4 to 115.2 Kbps
Isolation	2KV RMS, 1 Minute
Surge Protection	600 W Peak Power Dissipation Clamping time < 1 pico-second
Industrial Bus	Modbus ASCII / RTU
Bias	Built-in, Switchable, 1.2KΩ XMT/RCV
Termination	Built-in, Switchable, 120Ω
POWER	
Source	External power required
Power Connector	2 Position, Removable Terminal Block
Input Voltage	10 to 48 VDC (56 VDC Maximum)
Power Consumption	0.5 W (typical), 1.3 W (termination on both sides)
TERMINAL BLOCKS	
Wire Size Accepted	28 to 12 AWG
Pitch	5.08 mm
Insulation Resistance	≥500 MΩ @ 500 VDC
Maximum Torque	5 Kg / cm
INDICATORS	
Power	Red LED
Data	Red LED for Each Data Port
MECHANICAL	
Dimensions	12.3 x 11.3 x 3.2 cm (4.9 x 4.5 x 1.3 in)
Enclosure	IP 20 Plastic, 35 mm DIN Mount
Weight	222 g (0.49 lbs)
MTBF	114696 Hours
MTBF Calc. Method	Parts Count Reliability Prediction
ENVIRONMENTAL	
Operating Temperature	-40 to 80°C (-40 to 176°F)
Storage Temperature	-40 to 85°C (-40 to 185°F)
Operating Humidity	0 to 95% Non-condensing
REGULATORY	
Approvals	FCC, CE, UL, UL Class 1 DIV 2, Groups A, B, C, D
UL File	E222870 (HAZLOC E245458)

All product specifications are subject to change without notice.
4850PDRI_4615ds





www.L-TronDirect.com

800-830-9523

info@L-Tron.com

596 Fishers Station Dr | Victor, NY | 14564 | Suite 1 A

www.L-Tron.com

Get in touch with us
on social media!

