

# Ultra Compact Ethernet Serial Servers

VESR900 Series - Copper Models

B+B SMARTWORX

Powered by

ADVANTECH



## PRODUCT FEATURES

- Ethernet enable serial devices
- Direct IP, virtual COM port, or paired mode
- Ethernet pass-through port available
- Serial RS-232/RS-422/485 ports
- UL Class 1 Division 2
- NEMA TS2 (VESR901)

Take control of your serial devices with Vlinx™ VESR9xx Industrial Ethernet Serial Servers. If it has a Serial Port, it can be monitored and controlled from anywhere on your Ethernet LAN or WAN. Keep it at maximum productivity without leaving your office. Even troubleshoot it from outside your LAN via the Internet. The easy to use Vlinx™ Manager software puts access to your whole shop on your desk. Configure devices, upgrade firmware and monitor activity. Configuration changes can also be made using a web browser.

VESR92x series servers also feature an additional copper RJ45 port that allows you to connect another Ethernet device or PC work-station. This Pass-through port functions much like an unmanaged switch.

Heartbeat connectivity keeps the serial server online. If connectivity is lost it attempts to reconnect every five seconds until connection is regained. A manual reboot is not needed when communications are restored.

## ORDERING INFORMATION

MODEL NUMBER	SERIAL PORTS	SERIAL CONNECTORS	ETHERNET MEDIA	ETHERNET CONNECTORS
VESR901†	1	DB9 & TB	CAT 5	RJ45
VESR902D	2	DB9	CAT 5	RJ45
VESR902T	2	TB	CAT 5	RJ45
VESR921	1	DB9 & TB	CAT 5	Two RJ45
VESR922T	2	TB	CAT 5	Two RJ45

\* For fiber options please see page 154.

† NEMA TS2

## ACCESSORIES

MDR-40-24 - DIN rail mount power supply 24VDC, 1.7 A output power

ERS35 - 1 M 35mm DIN rail, steel

DRPM25 - 35mm DIN Rail to Panel Mount Bracket

TBKT2 - Replacement Terminal Block, One 5 Position 5.08 mm

TBKT1 - Replacement Terminal Block, One 2 Position 5.08 mm

# Ultra Compact Ethernet Serial Servers

## VESR900 Series - Copper Models

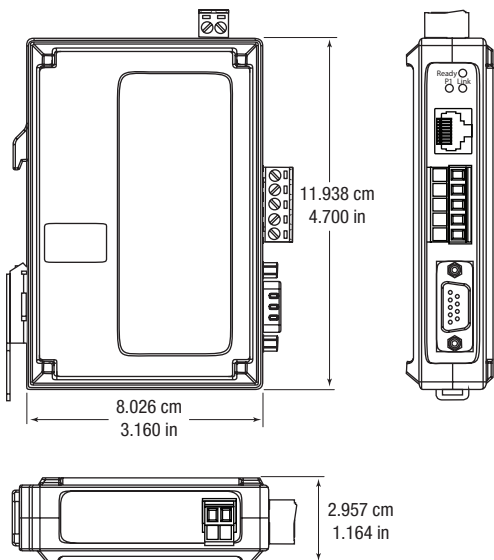


### SPECIFICATIONS

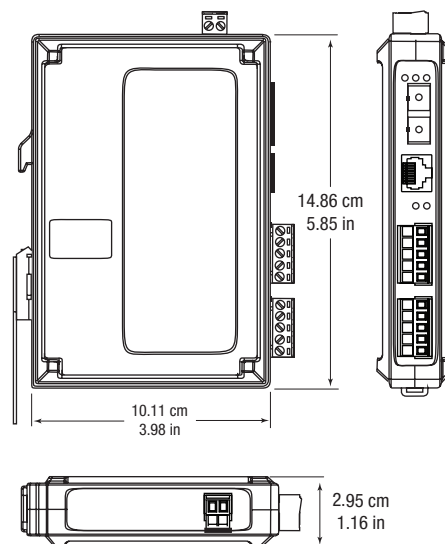
SERIAL TECHNOLOGY	
RS-232	TD, RD, RTS, CTS, DTR, DSR, DTD, GND
RS-485 2-Wire	Data A(-), Data B(+), GND
RS-422/485 4-Wire	TDA(-), TDB(+), RDA(-), RDB(+), GND
Serial Connector	DB9M or Removable Terminal Blocks
Data Rate	Up to 230.4 Kbps
POWER	
Source	External
Input Voltage	10 to 48 VDC (58 VDC Maximum)
Connector	Removable Terminal Block (12 – 28 AWG)
Power Consumption	VESR90x: 4.0 Watts Max. VESR92x: 6.0 Watts Max.
MECHANICAL	
LED Indicators	Serial Port, Ethernet Link, Ready
Switches	Reset Button
Dimensions	VESR90x: 11.94 x 8.03 x 2.96 cm (4.70 x 3.16 x 1.16 in) VESR92x: 14.86 x 10.11 x 2.96 cm (5.85 x 3.98 x 1.16 in)
Enclosure	35mm DIN mount, Plastic, IP 30
Weight	VESR90x: 149.7 g (0.33 lbs) VESR92x: 204.1 g (0.45 lbs)
ENVIRONMENTAL	
Operating Temperature	-40 to 80°C (-40 to 176°F)
Operating Humidity	10 to 95% Non-condensing
MTBF	VESR90x: ~ 132309 hours VESR92x: ~ 102593 hours
MTBF Calc Method	Parts Count Reliability Prediction
NETWORK	
Serial Memory	8 KB per port
Network Memory	4 KB
NETWORK COMMUNICATIONS	
LAN	10/100 Mbps Auto-detecting, 10BaseT or 100BaseTX

NETWORK PHYSICAL LAYER STANDARDS	
Ethernet	IEEE 802.3 auto detecting & auto MDI/MDX, 10BaseT and 100Base TX
PROTOCOLS	
Protocols	TCP, IPv4, UDP, ARP, HTTP 1.0, ICMP/PING, DHCP/BOOTP
IP Mode	Static, DHCP
TCP/UDP	User definable
OTHER	
Connection Mode	Server, Client, VCOM, Paired
Client Connection	At power up or upon data arrival
Search	Serial direct COM and Ethernet Auto Search or specific IP
Diagnostics	Display PC IP, ping, test VCOM, save test config (text readable)
Firmware Upgrade	Vlinx Manager
ETHERNET PASS-THROUGH PORT (VESR92X)	
Standards	IEEE 802.3, 802.3u, 802.3x
Processing Type	Store and Forward with 802.3x full duplex, non blocking flow control
Flow Control	IEEE 802.3x flow control, back pressure flow control
MAC Address Table	2K
CONFIGURATION SOFTWARE	
Vlinx Manager	Windows 2000, XP (32/64 bit), 2003 Server (32/64 bit), Vista (32/64 bit), 2008 Server (32/64 bit), Win 7 (32/64 bit)
REGULATORY / CERTIFICATIONS / SAFETY	
Compliance	FCC, CE, NEMA TS2 (VESR901) UL Listed, File E222870 UL Class 1 Division 2 Groups A, B, C, D (HAZLOC) File E245458

### MECHANICAL DIAGRAM - VESR90X MODELS



### MECHANICAL DIAGRAM - VESR92X MODELS





[www.L-TronDirect.com](http://www.L-TronDirect.com)

800-830-9523

[info@L-Tron.com](mailto:info@L-Tron.com)

596 Fishers Station Dr | Victor, NY | 14564 | Suite 1 A

[www.L-Tron.com](http://www.L-Tron.com)

Get in touch with us  
on social media!

