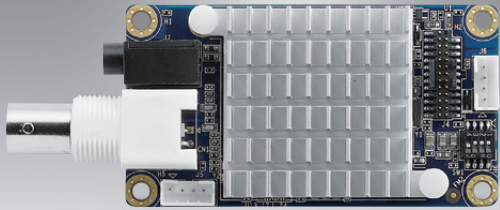


DSPC-8601-USBE

1-ch H.264 USB
Video Capture Module
with SDK

NEW



Features

- Powered by TI TMS320DM365 SoC
- 1 channel composite video input with H.264 hardware compression
- Supports PCM/G.711 hardware audio compression
- 30/25 fps (NTSC/PAL) at full D1 resolution for recording
- High-speed USB 2.0 interface
- SDK with VC++ sample codes



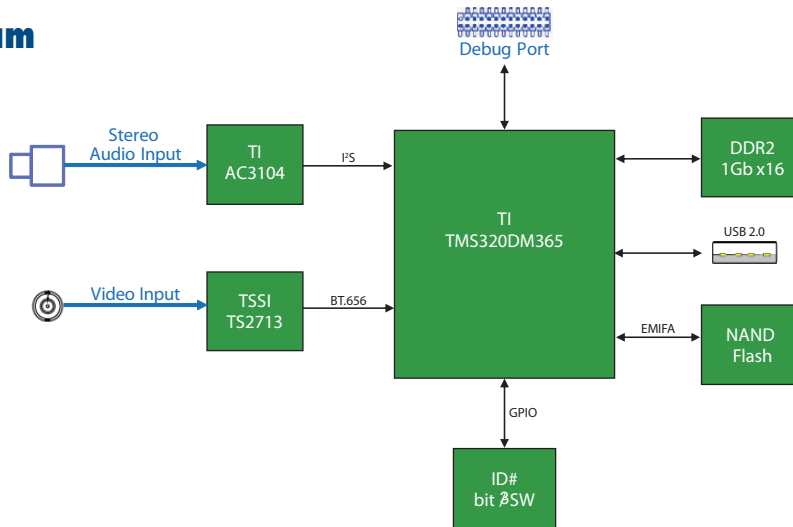
Introduction

DSPC-8601-USBE is a USB 2.0 high-speed video capture module with 1 analog video input and 1 stereo audio input. DSPC-8601-USBE supports H.264 compression formats up to full D1 resolution at real-time frame rate (30/25fps). With an easy-to-use software development kit (SDK), DSPC-8601-USBE is an ideal solution for system integrators to implement versatile video capturing and encoding applications that fulfill a wide variety of customer requirements.

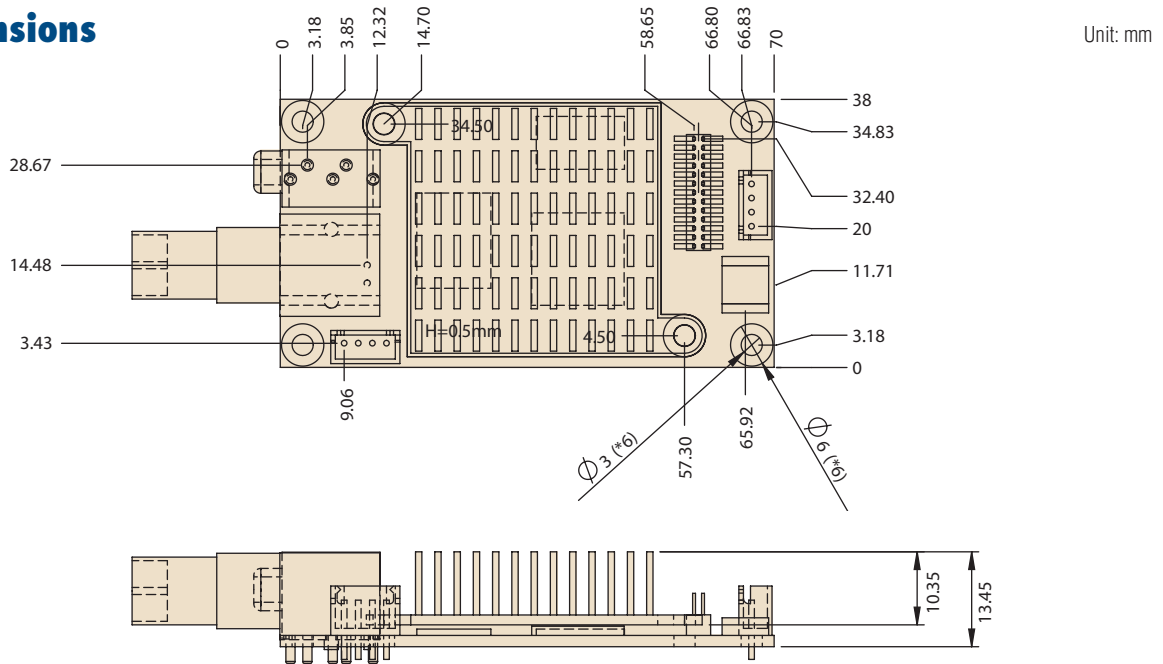
Specifications

| | | |
|--------------------------|-----------------------------|---|
| Video Input | Channels | 1 |
| | Video Inputs | Composite for NTSC/PAL |
| | Compression | H.264 / RAW |
| | Dual Streams | Yes |
| | Frame Rate | Up to 30fps @NTSC / 25fps @PAL (adjustable) |
| | Bit Rate Control | Supports constant bit rate (CBR) & variable bit rate (VBR) |
| | OSD | Text OSD |
| Connector | BNC, male / 1.0Vp-p, 75ohms | |
| Audio Input | Channels | 1 x stereo line-in |
| | Sampling Rates | Up to 16bit, 48KHz, stereo |
| | Compression | PCM / G.711 |
| | Connector | Phone jack, female |
| Physical Characteristics | Host Interface | USB 2.0 High Speed |
| | Power Input | USB bus power |
| | Operating Temperature | 0 ~ 70° C (32 ~ 158° F) (with air flow) 0 ~ 60° C (32 ~ 140° F) (without air flow) |
| | Board Dimensions | 70 x 38 mm (2.75" x 1.49") |
| | Safety | CE / FCC |
| Software | Supported OS by Driver | Windows XP / XPe / Vista / 7 |
| | SDK | User Manual, Programming Guide and VC++ Sample Codes |
| | Direct X Required | Version 9 or above |

Block Diagram



Dimensions



Ordering Information

| Part Number | Description |
|----------------|--|
| DSPC-8601-USBE | 1-ch H.264 USB Video Capture Module with SDK |



www.L-TronDirect.com

800-830-9523

info@L-Tron.com

596 Fishers Station Dr | Victor, NY | 14564 | Suite 1 A

www.L-Tron.com

Get in touch with us
on social media!

