

# FPM-7061T

## 6.5" VGA Industrial Monitor with Resistive Touchscreen, Direct-VGA/DP and Wide Operating Temperature Range

NEW



### Features

- 6.5" VGA TFT LED LCD with 50,000 backlight life time
- Robust design with IP66 compliance aluminum front panel
- Wide operating temperature support -20~60°C
- Anti-glare screen with tempered glass
- Supports Panel, Wall, Desktop, or VESA arm mounting
- USB interface for touchscreen function
- OSD control pad on rear cover
- Lockable I/O connectors

### Introduction

FPM-7000T series is the first true-flat design in 4:3 industrial grade monitor. To enhance its durability, the FPM-7000T series is true-flat touch screen designed with IP66 front protection, die-cast Al Alloy front bezel and 5-wire resistive touch. It supports wide operating temperatures -20~60°C for a variety of user environments. Designed with various mounting methods for users to apply into the system or adopt to the environment easily.

### Specifications

#### General

- **OSD Controls** OSD control in rear cover
- **Certification** BSMI, CCC, CE, FCC Class A, UL
- **Dimensions (W x H x D)** 311.80 x 238 x 57.2 mm (12.28" x 9.37" x 2.252")
- **Enclosure** Front panel: Die-cast Magnesium alloy  
Rear cover: SECC
- **Mounting** Stand, Wall, Panel mount or VESA 75 x 75 mm
- **Power Input** Phoenix Jack: 24 V<sub>DC</sub> input
- **Power Consumption** 10 W + 20%
- **Video Port** VGA & DP
- **Weight (Net)** 1.2 kg

#### LCD Display

- **Display Type** VGA TFT LED LCD
- **Display Size** 6.5"
- **Max. Resolution** 640 x 480
- **Max. Color** 262K
- **Viewing Angle (H/V°)** 160/140
- **Luminance (cd/m<sup>2</sup>)** 800
- **Backlight Life (hrs)** 50,000
- **Contrast Ratio** 600 : 1

#### Touchscreen

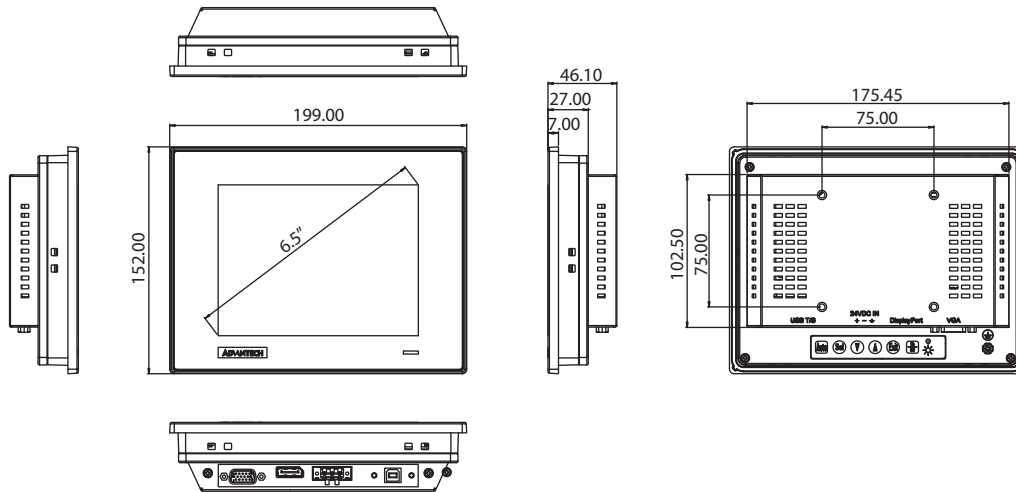
- **Type** 5-wire, analog resistive
- **Interface** USB
- **Light Transmission** Above 75%
- **OS Support** Windows XP, Vista, 7, 8, XPe and Linu x

#### Environment

- **Operation Temperature** -20 ~ 60°C (-4 ~ 140°F)
- **Storage Temperature** -30 ~ 70°C (-22 ~ 176°F)
- **Humidity (Storage)** 10 ~ 90% non-condensing
- **Waterproof** Front panel is IP66 compliant
- **Vibration** 5 ~ 500 Hz, 1 Grms (Operating, Random)

## Dimensions

Unit: mm



**Panel Cut-out Dimensions: 189.1 x 142.1 mm (7.44" x 5.59")**

## Ordering Information

- **FPM-7061T-R3AE** 6.5" VGA Ind Monitor w/Resistive TS (VGA/DP)

### Accessories

- **1702002600** Power Cable US Plug 1.8 M
- **1702002605** Power Cable EU Plug 1.8 M
- **1702031801** Power Cable UK Plug 1.8 M
- **1700000596** Power Cable China/Australia Plug 1.8 M
- **96PSA-A60W24T2** Adapter 100-240V 60W 24V 2.5A
- **FPM-1000T-SMKE** Desktop/Wall Mounting kit for FPM series



[www.L-TronDirect.com](http://www.L-TronDirect.com)

800-830-9523

[info@L-Tron.com](mailto:info@L-Tron.com)

596 Fishers Station Dr | Victor, NY | 14564 | Suite 1 A

[www.L-Tron.com](http://www.L-Tron.com)

Get in touch with us  
on social media!

