

IDK-2115

15" XGA 1,200 cd/m² Ultra High Brightness Industrial Display Kit with LED B/L

NEW



Features

- 15" LCD supports 1024 x 768 pixels and wide operating temperature (-20 ~ 70° C)
- Ultra-high brightness of 1200 cd/m² with LED backlight
- High contrast ratio of 700:1
- High uniformity of 85%
- Superior sunlight readability
- LVDS signal interface
- Low power consumption 16.06 W
- 5W resistive touch solution (optional)
- Anti-Reflection surface treatment (optional)
- Manually VR brightness control (optional)
- Auto-dimming solution with light sensor (optional)
- Optical bonding (optional)

Introduction

The Advantech IDK-2115 series comes with a 15" 1200 cd/m² industrial grade LCD display, and an LED driver board. The series is also available with flexible options for 5-wire touch screens and enhanced treatment such as anti-reflection surface treatment and optical bonding solution. IDK-2115 series supports 1200 cd/m² high brightness with low power consumption at the maximum consumption of 16.06 W. Equipped with high level of brightness and wide operating temperature, IDK-2115 provides superior sunlight readability and is perfect for applications whether in semi-outdoor or outdoor environments.

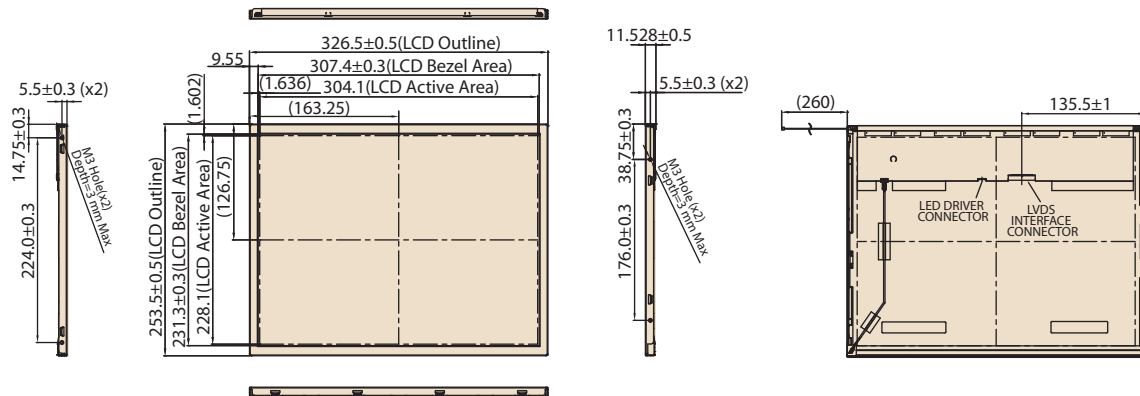
Specifications

LCD Panel	Model	IDK-2115	IDK-2115 (Wide temp)
	Size	15" LED backlight panel	15" LED backlight panel
	Resolution	1024 x 768 (XGA)	1024 x 768 (XGA)
	Viewing Angle (U/D/L/R)	80°/80°/85°/85°	70°/70°/80°/80°
	Brightness	1200 (cd/m ²)	1200 (cd/m ²)
	Contrast Ratio	700 : 1	700 : 1
	Response Time (ms)	8 ms	25 ms
	Colors	6bit (262K)/8bit (16.2M)	6bit (262K)/8bit (16.2M)
	Voltage	3.3 V	3.3 V
	Consumption	16.06 W	16.06 W
	Signal Interface	1 channel LVDS	1 channel LVDS
	Weight	N series: 1350 g R series: 1600 g	N series: 1350 g R series: 1600 g
	Dimensions (W x H x D)	N series: 326.5 x 253.5 x 12.0 mm R series: 326.5 x 253.5 x 14.6 mm	N series: 326.5 x 253.5 x 11.5 mm R series: 326.5 x 253.5 x 14.4 mm
LED Driver Board	Efficiency	85%	85%
	Output Current & Voltage	800 mA / 17.7 V (Min)	800 mA / 18.1 V (Min)
	Dimensions (W x H x D)	80 x 50 x 7 mm	80 x 50 x 7 mm
Touch Screen (R series)	Touch Screen	5-wire Resistive	5-wire Resistive
	Transparency	80± 3%	80± 3%
	Durability	10 million times	10 million times
Environment	Operating Temperature	0 ~ 65° C	-20 ~ 70° C
	Storage Temperature	-20 ~ 65° C	-40 ~ 80° C
	Humidity	8 ~ 90% @ 39°C., non-condensing	8 ~ 90% @ 39°C., non-condensing

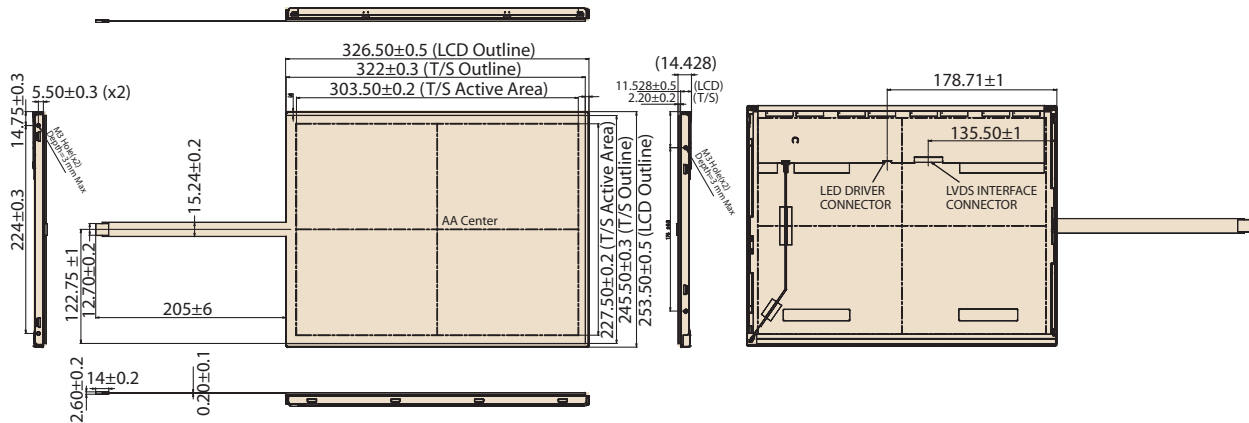
Dimensions

Unit: mm

IDK-2115N Series (For IDK-2115N-K2XGB1E only)



IDK-2115R Series (For IDK-2115R-K2XGB1E only)



Ordering Information

Part No.	Size	Brightness (cd/m ²)	Interface	Touch screen	Touch Interface
IDK-2115N-K2XGC1E	15"	1200	LVDS	N/A	N/A
IDK-2115R-K2XGC1E	15"	1200	LVDS	5-wire Resistive	USB
IDK-2115N-K2XGB1E (Wide Temp)	15"	1200	LVDS	N/A	N/A
IDK-2115R-K2XGB1E (Wide Temp)	15"	1200	LVDS	5-wire Resistive	USB

Packing List

Part Number	Description
9680002141	1 x 5-wire USB touch controller (IDK-2115R-K2XGC1E)
1700004131	1 x USB cable for Touch controller (IDK-2115R-K2XGC1E)
2068200000	1 x CD-ROM for User manual and touch driver (IDK-2115R-K2XGC1E)
ETM-RES04C-EEH4EE	1 x 5-wire USB touch controller (IDK-2115R-K2XGB1E)
1700020324-01	1 x USB cable for Touch controller (IDK-2115R-K2XGB1E)

Note: Package contents are subject to change without prior notice

Optional Order

SBC Part No.	LVDS cable P/N	Display interface	B/L cable P/N	Touch interface	Touch power input
MIO-5270	96CB-L2040PCG4	Single channel 18bit LVDS (XGA)	96CB-E0605HAB1	USB	5V
PCM-9362	96CB-L2020PCG2	Single channel 18bit LVDS (XGA)	96CB-E0605HAB1	USB	5V
AIMB-270	96CB-L2040PCG4	Single channel 18bit LVDS (XGA)	96CB-E0605HAB1	USB	5V

For more compatible embedded board solution, please visit our Build Your Display web page as below:
<http://www.advantech.com/buildyourdisplay>



www.L-TronDirect.com

800-830-9523

info@L-Tron.com

596 Fishers Station Dr | Victor, NY | 14564 | Suite 1 A

www.L-Tron.com

Get in touch with us
on social media!

