

IDK-2121W

21.5" FHD 1, 200 cd/m² Ultra High Brightness Industrial Display Kit with LED B/L

NEW



Features

- 21.5" LCD supports 1920 x 1080 pixels and wide operating temperature (0 ~ 55° C)
- Ultra-high brightness of 1200 cd/m² with LED backlight
- High contrast ratio of 5000:1
- High uniformity of 85%
- Superior sunlight readability
- LVDS signal interface
- Low power consumption 47 W
- 5W resistive touch solution (optional)
- Anti-Reflection surface treatment (optional)
- Manually VR brightness control (optional)
- Auto-dimming solution with light sensor (optional)
- Optical bonding (optional)

Introduction

The Advantech IDK-2121W series comes with a 21.5" 1200 cd/m² industrial grade LCD display, and an LED driver board. The series is also available with flexible options for 5-wire touch screens and enhanced treatment such as Anti-Reflection surface treatment and optical bonding solution. IDK-2121W series supports 1200 cd/m² high brightness with low power consumption at the maximum consumption of 40.5 W. Equipped with high level of brightness and wide operating temperature, IDK-2121W provides superior sunlight readability and is perfect for applications whether in semi-outdoor or outdoor environments.

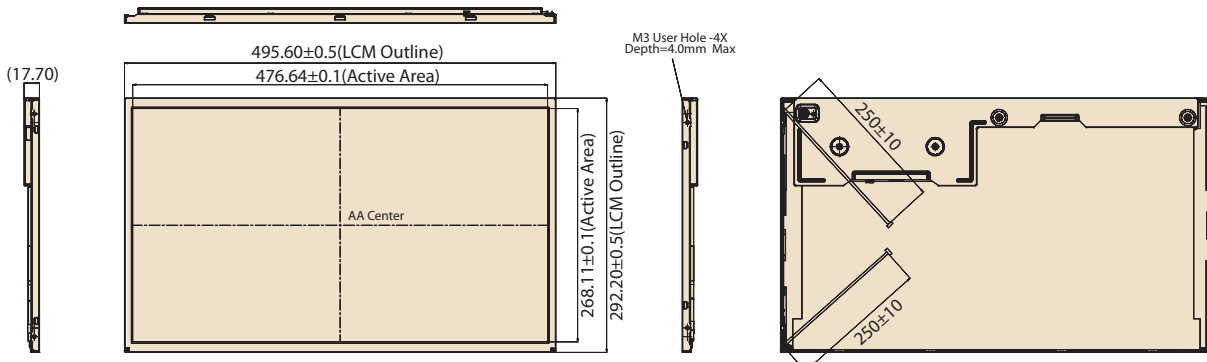
Specifications

Display	Model	IDK-2121W
	Size	21.5" LED backlight panel
	Resolution	1920 x 1080 (FHD)
	Viewing Angle(U/D/L/R)	89°/89°/89°/89°
	Brightness (Center)	1200 (cd/m ²)
	Contrast Ratio	5000 : 1
	Response Time (ms)	16 ms
	Colors	16.7M
	Voltage	5V
	Power Consumption	N series: 52.2 W (typ.) R series: 53.2 W (typ.)
	Signal Interface	2 channel LVDS
	Weight	N series: 2400 g R series: 3200 g
Dimensions (W x H x D)	N series: 495.6 x 292.2 x 17.7 mm R series: 495.6 x 292.2 x 20.6 mm	
LED Driver Board	Efficiency	90%
	Output Current & Voltage	950 mA / 19 V (Max.)
	Dimensions (W x H x D)	80 x 50 x 7 mm
Touch Screen (R series)	Touch Screen	5-wire Resistive
	Transparency	80± 3%
	Durability	10 million times
Environment	Operating Temperature	0 ~ 55° C
	Storage Temperature	-20 ~ 60° C
	Humidity	10 ~ 90% @ 40°C, non-condensing

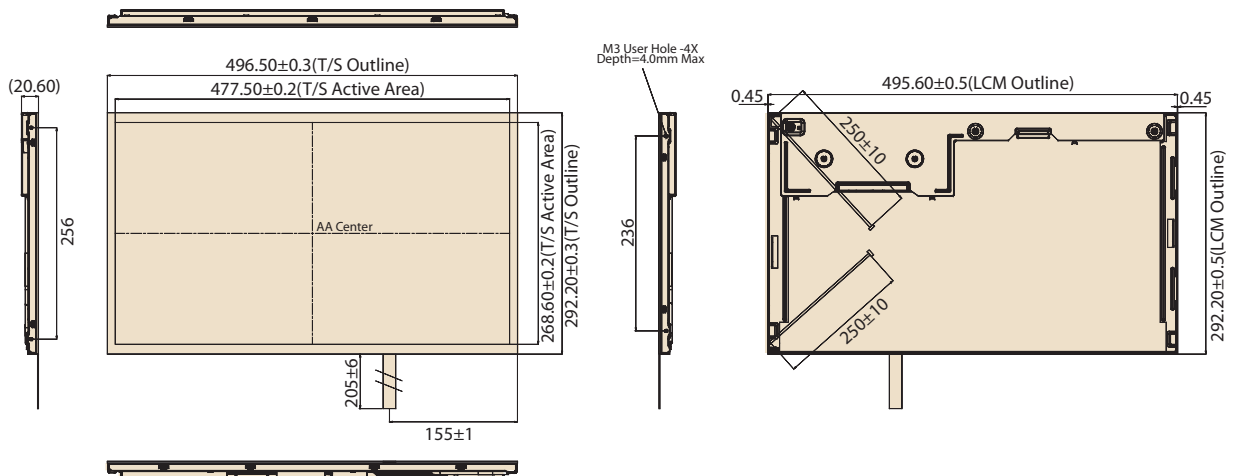
Dimensions

Unit: mm

IDK-2121WN Series



IDK-2121WR Series



Ordering Information

Part No.	Size	Brightness (cd/m ²)	Interface	Touch screen	Touch Interface
IDK-2121WN-K2FHA2E	21.5"	1200	LVDS	N/A	N/A
IDK-2121WR-K2FHA2E	21.5"	1200	LVDS	5-wire Resistive	RS-232/USB

Packing List

Part Number	Description
ETM-RES04C-EEH4EE	1 x 5-wire USB touch controller
1700020324-01	1 x USB cable for Touch controller

Note: Package contents are subject to change without prior notice

Optional Order

SBC Part No.	LVDS cable P/N	Display interface	B/L cable P/N	Touch interface	Touch power input
MIO-5270	96CB-L3040PAF5	Dual channel 24bit LVDS (FHD)	N/A (external power was required)	USB	5V
AIMB-270	96CB-L3040PAF5	Dual channel 24bit LVDS (FHD)	N/A (external power was required)	USB	5V

Note: Package contents are subject to change without prior notice



www.L-TronDirect.com

800-830-9523

info@L-Tron.com

596 Fishers Station Dr | Victor, NY | 14564 | Suite 1 A

www.L-Tron.com

Get in touch with us
on social media!

