

IDS31-215W

Fully configurable, high-reliability, rugged display solution with choice of brightness, touch and video input 21.5" Industrial Open Frame Monitor

NEW



Features

- 21.5" LCD wide screen panel with LED backlight for long service life
- Wide operating temperature 0 to +50° C for broad range of applications
- Regular brightness 250 CD/m²
- Flexible mechanical formats: open frame & closed frame, Profiat, all with VESA standard mounting
- Configurable Options:
 - Brightness 250 CD/m²
 - View angle 89°/89°/89°/89°
 - Mechanical housing
 - VGA, DVI, HDMI, DisplayPort
- Touch Options (USB and/or RS232 input):
 - Surface Capacitive
 - Projected Capacitive
 - Infra-red

Introduction

The IDS31-215W is a fully configurable, flexible display solution, able to be specified in a variety of screen brightness's, touch technologies and video inputs including displayport. The product can be specified in a number of compact mechanical constructions meeting all mounting demands, delivering complete flexibility in product design. All products have been designed to meet the demands of the industrial market and have leading in service performance characteristics guaranteed by 100% product burn-in and the service back up of the global Advantech corporation.

Typical Applications

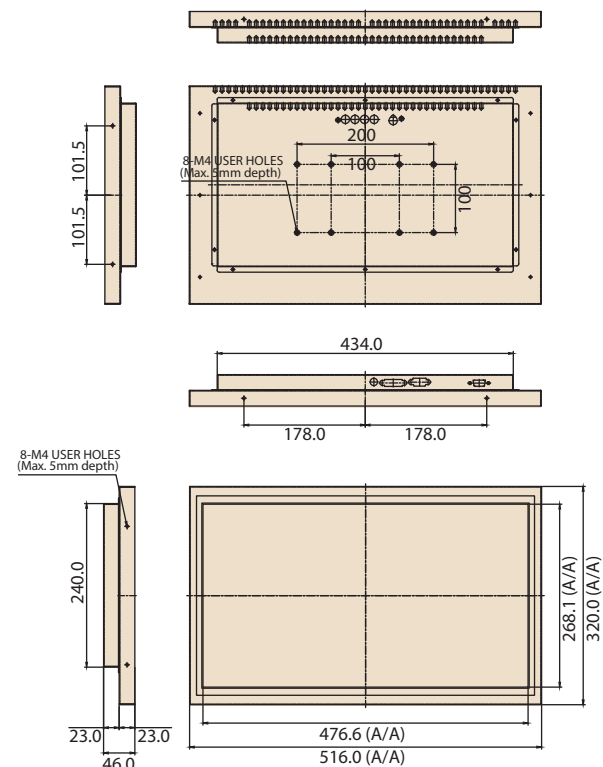
- Casino and gaming
- Industrial controls
- Kiosks and point of sale
- Remote signage and public information
- Transportation

Specifications

Display Features	Spec	Notes
Model	IDS31-215W	
Backlight	LED + MVA	Light source
Resolution	1920 x 1080	Native resolution. Other resolutions supported by A/D card scaling
Brightness	250 cd/m ²	Measured at typical operating voltage
Viewing Angle	89°/89°/89°/89°	Left/Right/Up/Down
Surface Treatment	7H	MoHS/Anti glare
Contrast Ratio	5000:1	In laboratory measurement conditions
Max Colors	16.2m	6/8 bit per colour
Response Time	16 ms	Typical
Backlight Lifetime	30,000 hours	Typ. time to half brightness in room temperature operation

Dimensions

Unit: mm



Touch Screen Options

Type 21.5" Wide Screen	Cover glass (CG)	Analogue Resistive (AR)	Surface Acoustic Wave (SAW)	Surface Capacitive (SCAP)	Projected Capacitive (PCT)	Infra-red (IR)	Multi-touch
	<input checked="" type="checkbox"/>	<input checked="" type="checkbox"/>	<input type="checkbox"/>	<input checked="" type="checkbox"/>	<input checked="" type="checkbox"/>	<input type="checkbox"/>	<input checked="" type="checkbox"/>
Construction	3.2mm heat strengthened glass	ITO film to ITO coated glass	4mm pure glass sensor	Hard coat ITO pure glass	ITO film/film with Chemical strengthened glass	3mm tempered glass with infrared sensor	Either PCT or IR
Surface Durability (no of touches)	7H	3H	7H	<4H	<4H	7H	-
IP Rating (potential)	-	> 1m	>5m	>1m	>1m	>1m	-
IP Rating (potential)	IP65	IP65	IP65	IP65	IP65	IP65	IP65
Touches	0	1	1	1	1/2/10/30	1040g/63.5mm	-
Transparency	93±2%	81%	90±5%	91±1.5%	82%	-	-
Drop Ball	500g / 50cm	227g/38Φ steel ball from 80cm height	1040g / 90cm	UL60950 (Tough touch only)	227g/38Φ steel ball from 80cm height	1040g/63.5mm ball dropped from height of 1.0m	227g/38Φ steel ball from 80cm height
Added thickness (typ.)	4/5/6/10/12mm	1.8mm	6mm	8mm	3/4/5/6m	See drawing	See drawing
Custom Options	AR coating Optical bonding	Optical bonding	Dustproof, Waterproof, Antiglare, Safe touch	Optical bonding, Tough touch	AR coating, Glass painting, Customer logo, 10point touch (21.5",23",24"), Optical bonding	2point, AR coating, Optical bonding	Extended cover glass Back printing Whole cutting

System/Electrical Features

System / Electrical	Spec	Unit / Notes
Power Consumption	28.0W	Typical consumption at standard brightness and temperature
Power Supply	12V / 3.5A	External DC power brick (included) Input voltage-DC +12V +/-5% @ 2.5A max Power connector: DC jack
Video Input (available options)	<input type="checkbox"/> VGA <input type="checkbox"/> DVI <input type="checkbox"/> HDMI <input type="checkbox"/> COMPOSITE <input type="checkbox"/> USB <input type="checkbox"/> DisplayPort	Native resolution. Other resolutions supported by A/D card scaling
On-screen Display (OSD)	5- keys Menu Functions	Menu / up / down / enter / Power ON-OFF Brightness, Contrast, Screen Setting, Colour Temp, Language OSD Settings, VGA/DVI, Recall, Auto Adjust
Custom BIOS options		

Mechanical Features

Mechanical	Spec	Notes
Overall size	516 x 320 x 46 mm	[open frame] [closed frame] [proflat]
Active Area Size	476.6 (H) x 268.1 (V) mm	
Case / Bezel color	Zintec / Black power coat	Custom colour and finishes available
Weight	7.0kg	Typ .inc touch
VESA Mounting Options:	<input type="checkbox"/> 75 x 75 <input checked="" type="checkbox"/> 100 x 100 <input checked="" type="checkbox"/> 100 x 200 <input type="checkbox"/> Brackets for panel mount	For User defined mounting requirements contact rep

Environmental Features

Environmental	Spec
Operating Temp	0 to +50° C
Storage Temp	-20 to +60° C
Humidity	90% RH
Vibration	5-500Hz, 0.026G/Hz, 2.16 Grms, X,Y,Z. 1hr per axis
Agency Approvals	CE,RoHS

Ordering Information

Model Name	Description
IDS31-215WP25DVA1E	21.5" widescreen, Industrial open-frame monitor with PCT Multi-touch touchscreen, 250CD/m ² brightness, VGA&DVI input

All Advantech monitors are configurable to order. Use www.advantech.com for guidance on versions, pricing and deliver for all models

Accessory Package

- Power supply (110V-240V), UK/EU/US power cord, VGA cable, DVI cable (USB for touch option)



www.L-TronDirect.com

800-830-9523

info@L-Tron.com

596 Fishers Station Dr | Victor, NY | 14564 | Suite 1 A

www.L-Tron.com

