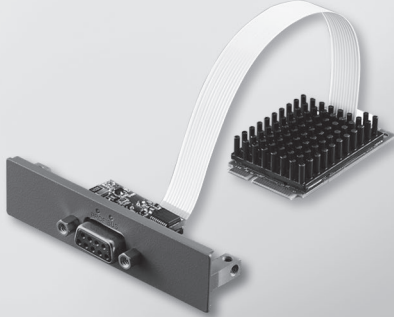


PCM-26D1DB

1-Port Hilscher netX100 FieldBus mPCIe, PROFIBUS, DB9

NEW



Features

- Meets Advantech Standard iDoor Technology
- PCI ExpressR Mini Card Specification Revision 1.2 compliant
- Supports Hilscher PROFIBUS Protocol Library
- Easy integration by wide range of device drivers
- High extended temperature range up to 70°C
- Supports Embedded Automation PC UNO-2200 series
- Supports Control DIN-Rail PC UNO-1200/1300/1400 series
- Supports Control Cabinet PC UNO-3200/3300/3400 series
- Supports Control Panel Computers TPC-xx81/xx82 series

Introduction

The PCM-26 series is categorized as Industrial Communication with Fieldbus Protocol modules from Advantech iDoor Technology. They are all compatible with the PCI Express® Mini Card Specification Revision 1.2, including Isolated / Non-Isolated RS-232/422/485 communication cards for automation control, Wi-Fi/3G/GPS/GSM/LTE wireless communication models for data exchange during the management and machine level of automation application, Zigbee module as an IoT terminal or controller and PoE function for smart camera in detect inspection application of production. This is a flexible design that enables customers to customize their features which meet iDoor Technology.

Specifications

General

- **Bus Type** PCI Express Mini Card Revision 1.2
- **Certification** CE, UL
- **Connectors** 1 x Female DB9
- **Dimensions** Module: 51 x 30 x 12.4mm (2" x 1.18" x 0.49")
I/O Plate: 81 x 19.4 x 41mm (3.19" x 0.76" x 1.61")
- **Power Consumption** Typical : +3.3 V @ 650mA

Communications

- **Controller** Hilscher netX100
- **Protocol** PROFIBUS DP V1
- **Signal interface** Iso. RS-485, RxD/TxD-P, RxD/TxD-N
- **Speed** 9.6 kbps ~ 12 Mbps
- **Displays** SYS, System status LED

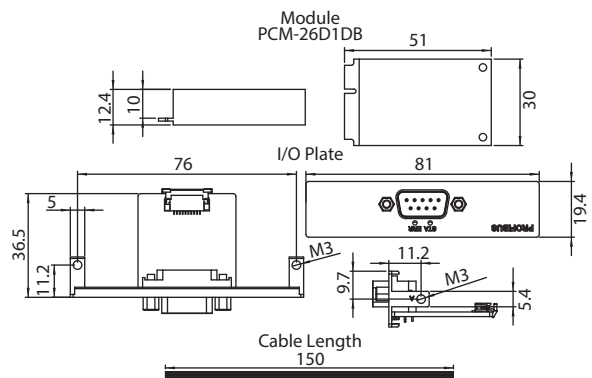
Software

- **OS Device** Windows 2000/XP/Vista/7/8 (32/64-bit)
- **Utility** SYCON.net

Environment

- **Humidity (Operating)** 10-95% RH, non-condensing
- **Operating Temperature** -20 ~ 70°C (-4 ~ 158°F), w/ Air flow during measurement: 0,5 m/s
- **Storage Temperature** -10 ~ 70°C (14 ~ 158°F)

Dimensions



Ordering Information

Master

- **PCM-26D1DB-MAE** Hilscher netX100 FieldBus mPCIe, PROFIBUS, DB9 x 1, Master

Slave

- **PCM-26D1DB-SAE** Hilscher netX100 FieldBus mPCIe, PROFIBUS, DB9 x 1, Slave



www.L-TronDirect.com

800-830-9523

info@L-Tron.com

596 Fishers Station Dr | Victor, NY | 14564 | Suite 1 A

www.L-Tron.com

