

# WebOP-3100T

## 10.1" WSVGA Cortex™ - A8 Operator Panel with Wide Operating Temperature Range

NEW



### Features

- RISC 32 bits TI ARM® Cortex™-A8 processor
- Various LCD sizes (7", 10.1", 12", 15")
- Full line LED BL TFT LCD with 50K life time
- Embedded Microsoft® WinCE 6.0 OS
- Supports WebOP Designer HMI Runtime development tool
- Backup Memory FRAM in 128KB(64 words) without battery concern
- Power & Terminal I/O ports isolation protection
- -20°C ~ 60°C wide operating temperature range
- Supports CANopen library registered by CiA 301 V4.02
- RS-422/RS-485/CAN terminal I/O ports support Termination Resistor 120Ω
- Front panel IP66 compliant
- Die-cast aluminum alloy front bezel
- Level 4 ESD protection (Air:15KV / Contact:8KV)
- Industrial Control Equipment - UL 508 certification

### Introduction

With brand-new ID design, the WebOP-3100T provides stringent standards required in the automation market. Advantech offers the WebOP-3100T with Cortex™-A8 processor which consumes minimum power without sacrificing performance. The WebOP-3100T supports a variety of LCD sizes from 4.3" to 15" for different applications involving the use of PLCs, motion/thermal controllers, inverters and sensors. It's also provided with a wide operating temperature range to fulfill the requirements of harsh environments. The built-in Microsoft® WinCE 6.0 OS platform which bundles WebOP Designer lets the WebOP-3100T become a control HMI solution for flexible system integration.

### Specifications

#### General

- **Certification** CE, BSMI, CCC, UL, FCC Class A
- **Dimensions (WxHxD)** 271.5 x 213.5 x 43.2 mm (10.69" x 8.41" x 1.7")
- **Cut-out Dimensions** 260 x 201.5 mm (10.24" x 7.93")
- **OS Support** Microsoft® Windows CE 6.0
- **Power Input** 24V<sub>DC</sub> ±10%
- **Power Consumption** 9W (Typical)
- **Enclosure Housing** PC + ABS
- **Mounting** Panel
- **Weight (Net)** 1.2 kg (2.65 lbs)

#### System Hardware

- **CPU** RISC 32 bits, 600 MHz (ARM® Cortex™-A8)
- **Backup Memory** FRAM 128KB
- **Memory** DDR2 256MB on board
- **Storage** 512MB on board SLC type
- **Power-On LED** Yes

#### Communication Interface

- **COM1** RS-232/422/485 (DB9 Male)
- **COM2** RS-422/485 (Terminal Plug 4-Pin)
- **COM3** RS-485 (Terminal Plug 2-Pin)
- **CAN** Terminal Plug 2-Pin
- **Ethernet (RJ45)** 10/100-BaseT
- **I/Os**
  - USB Client USB 2.0 Client x 1
  - USB Host USB 2.0 Host x 1
  - Micro-SD Slot Yes
  - Audio 1 Line-out / 1 Mic-in

#### LCD Display

- **Display Type** WSVGA TFT LCD
- **Display Size** 10.1"
- **Max. Resolution** 1024 x 600
- **Max. Colors** 64K
- **Luminance (cd/m2)** 550
- **Viewing Angle (H/V)** 140/110
- **Backlight Life** LED, 50,000 hrs
- **Dimming** Adjustable by touch panel
- **Contrast Ratio** 500:1

#### Touchscreen

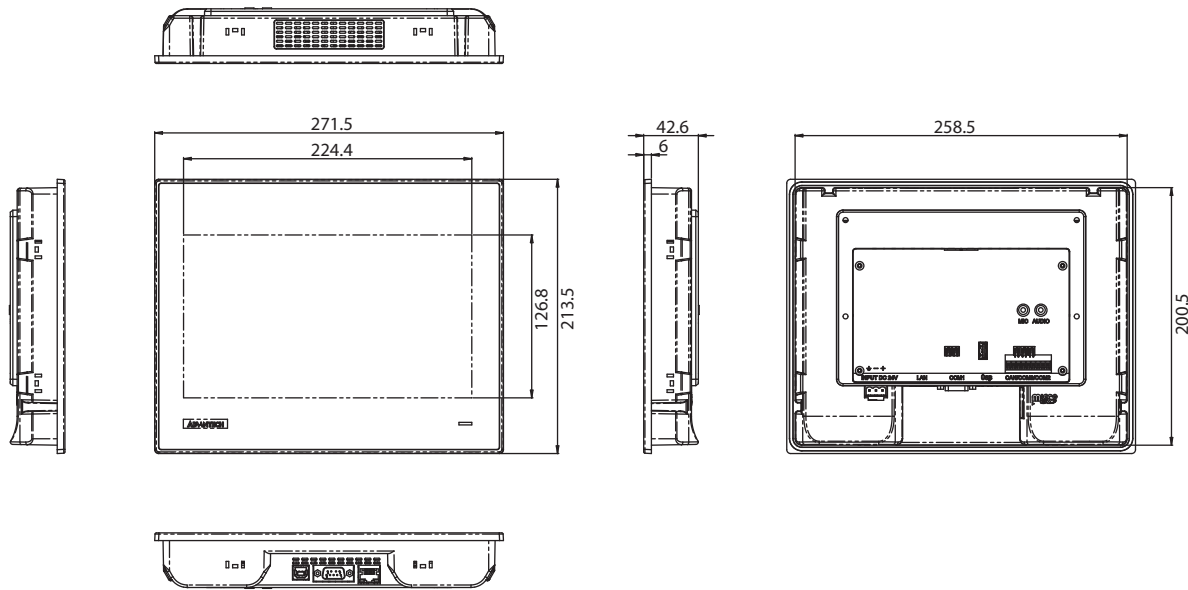
- **Lifespan** 36 million touches at 8mm-diameter finger point through silicone rubber bearing at least 250g 2 times per second.
- **Light** Transmission Above 80%
- **Resolution** Linearity
- **Type** 5-wire, analog resistive

#### Environment

- **Operating Temperature** -20 ~ 60°C (-4 ~ 140°F)
- **Storage Temperature** -30 ~ 70°C (-22 ~ 158°F)
- **Humidity** 10 ~ 90% RH @ 40°C, non-condensing
- **Ingress Protection** Front panel: IP66
- **Vibration Protection** Operating, random vibration 1 Grms (5 ~ 500 Hz)

## Dimensions

Unit: mm



**Panel Cut-out Dimensions: 260 x 201.5 mm (10.24" x 7.93")**

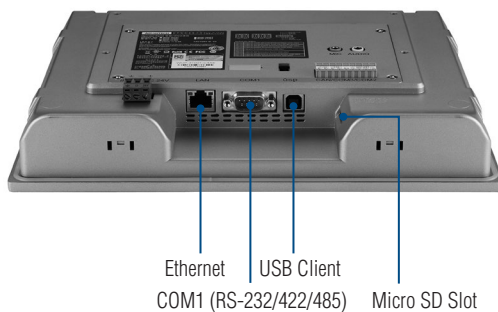
## Ordering Information

- **WOP-3100T-C4AE** 10.1" WSVGA, Cortex™-A8, 256MB DDR, WinCE 6.0

## Accessories

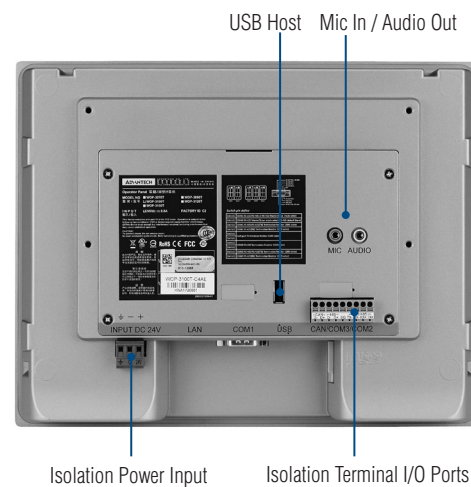
- **PWR-247-AE** 24 V 50 W AC-DC Power Adapter
- **1702002600** Power Cable US Plug 1.8 M
- **1702002605** Power Cable EU Plug 1.8 M
- **1702031801** Power Cable UK Plug 1.8 M
- **1702031836** Power Cable China/Australia Plug 1.8 M

## Base View



Ethernet    USB Client  
COM1 (RS-232/422/485)    Micro SD Slot

## Rear View



Isolation Power Input    Isolation Terminal I/O Ports



Isolation Terminal I/O Ports



[www.L-TronDirect.com](http://www.L-TronDirect.com)

800-830-9523

[info@L-Tron.com](mailto:info@L-Tron.com)

596 Fishers Station Dr | Victor, NY | 14564 | Suite 1 A

[www.L-Tron.com](http://www.L-Tron.com)

Get in touch with us  
on social media!

