

SR61T

Wall or Vehicle Mount Holder Instructions

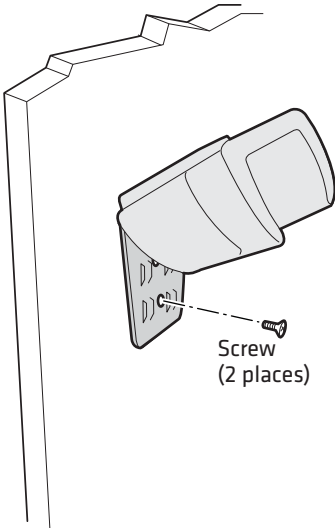


The SR61T wall or vehicle mount holder (P/N 203-876-xxx) provides you with a convenient way to store the SR61T Handheld Scanner when you are not using it. You can either attach the holder to the wall with screws or attach the holder to a vehicle with tie-wraps. The wall or vehicle mount holder ships with these items:

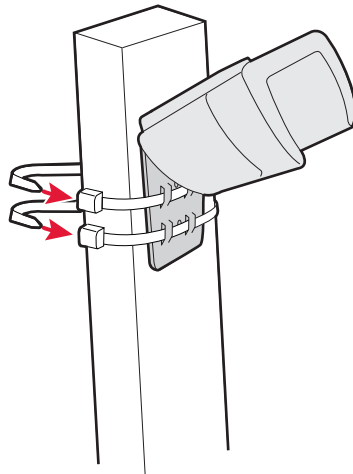
- Two #10 x 1.25 drywall screws
- Two wall anchors for the #10 screws
- Two cable tie-wraps
- The wall or vehicle mount holder
- These instructions

To install the holder on a wall or a vehicle

- 1 Attach the holder to the wall with the two drywall screws or attach it to a vehicle with the two cable tie-wraps.

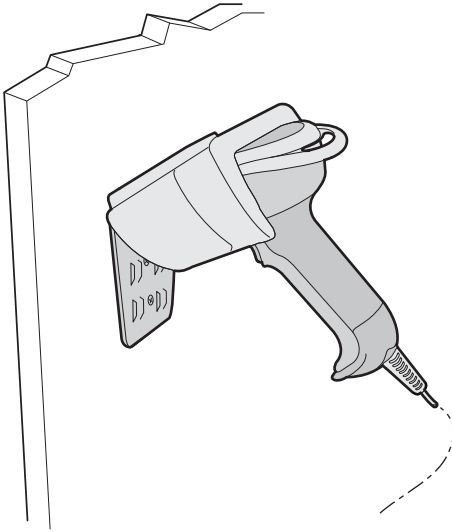


Attaching the Holder to a Wall

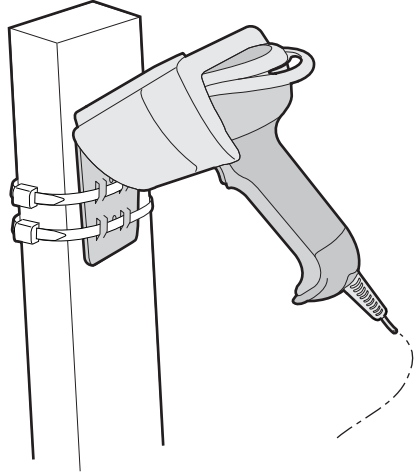


Attaching the Holder to a Vehicle

2 Insert the SR61T into the wall or vehicle mount holder.



The SR61T in the Wall Holder



The SR61 in the Vehicle Holder

SR61T Wall or Vehicle Mount Holder Instructions



P/N 943-196-001



Worldwide Headquarters
6001 36th Avenue West
Everett, Washington 98203
U.S.A.

tel 425.348.2600

fax 425.355.9551

www.intermec.com

© 2008 Intermec Technologies Corporation. All rights reserved.



www.L-TronDirect.com

800-830-9523

info@L-Tron.com

596 Fishers Station Dr | Victor, NY | 14564 | Suite 1 A

www.L-Tron.com

Get in touch with us
on social media!

