

## Product profile

# IT67

## Enterprise Lateral Transmitting (LT) Tag



- Passive tag meets Gen 2/18000-6C requirements
- Rugged multi-mounting options for ease of installation
- Provides both edge and normal reading performance
- Long range global performance
- Rugged encapsulation for harsh environments
- Reusable for lower cost per use
- RoHS and WEE compliant

Intermec's rugged IT67 Enterprise LT Tag is the first in the industry, designed to provide both edge and normal performance for enhanced portal and forklift RFID applications. With a range of up to 26ft (7.92m) and an IP rating of IP67, the IT67 is suitable for harsh environments and meets global standards.

### Typical Applications Include:

- Automotive containers
- Large metal containers
- Postal roll cages
- Metal drums

### Reader Compatibility

Intermec manufactures a complete line of readers that are compatible with the IT67 tag as indicated in the table below.

### Tag Type

EPC Global Gen 2/ISO18000-6C

### Attachment Methods

The IT67 tag can be attached using screws, rivets, double-sided adhesive strips or a variety of other methods. Additional mounting options are available through our network of Intermec partners.

### Ordering Information

| Order Number | Comments                      |
|--------------|-------------------------------|
| 225-756-001  | SamplePackage (Qty. 10)       |
| 225-757-001  | Production Package (Qty. 250) |

### Intermec Reader Models

#### Mobile Readers

IP4 Hand-Held Reader  
IP30 Hand-Held Reader  
IV7 Vehicle Mount Reader

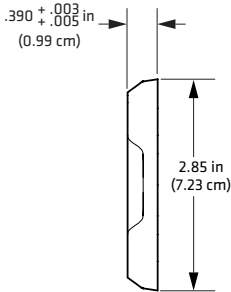
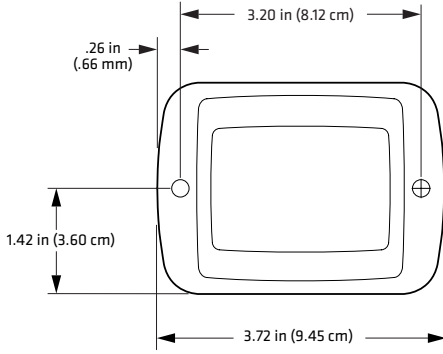
#### Fixed Readers

IF4 Fixed Serial Reader  
IF5 Fixed Network Reader  
IF30 Fixed Network Reader  
IF61 Fixed Enterprise Reader

IT67 can be read with any competitive Gen 2/ ISO 18000-6C reader.

**Size**

2.85 in x 3.72 in (7.23 cm x 9.45 cm)



**Available Silicon Type, Memory Size & Data Retention**

**Air Interface**

EPC Gen 2/ISO 18000-6C

**Silicon Type**

NXP -SL3S1002FTT

**Memory Size**

512-bit-on-chip user memory

**Data Retention**

EEPROM 2 years min

**Comments**

EEPROM write endurance 10,000 cycles

**Temperature Ratings**

| Condition | Temperature                        |
|-----------|------------------------------------|
| Storage   | -40° F to 185° F (-40° C to 85° C) |
| Operating | -40° F to 150° F (-40° C to 66° C) |

**Vibration**

5g RMS, 1.6-2000 Hz flat spectrum

**Frequencies of Operation**

EPCglobal Gen 2/ISO 18000-6C: 860 MHz to 960 MHz

**North America**

**Corporate Headquarters**

6001 36th Avenue West  
Everett, Washington 98203  
Phone: (425) 348-2600  
Fax: (425) 355-9551

**South America & Mexico**

**Headquarters Office**

Newport Beach, California  
Phone: (949) 955-0785  
Fax: (949) 756-8782

**Europe/Middle East &**

**Africa Headquarters Office**

Reading, United Kingdom  
Phone: +44 118 923 0800  
Fax: +44 118 923 0801

**Asia Pacific**

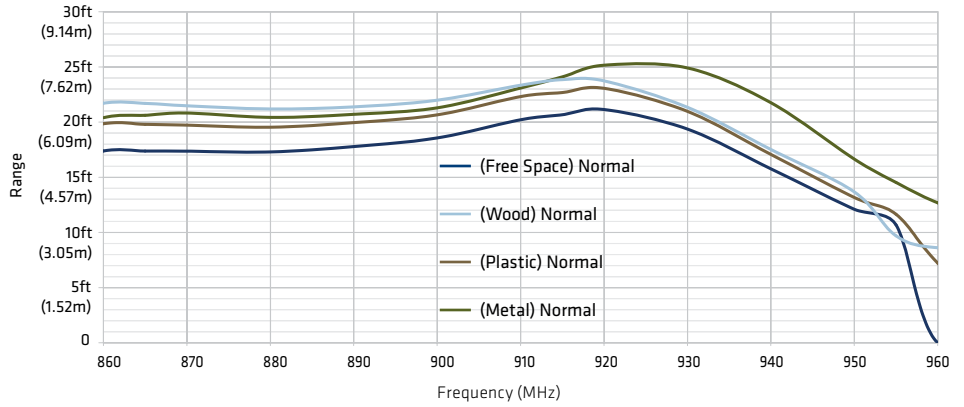
**Headquarters Office**

Singapore  
Phone: +65 6303 2100  
Fax: +65 6303 2199

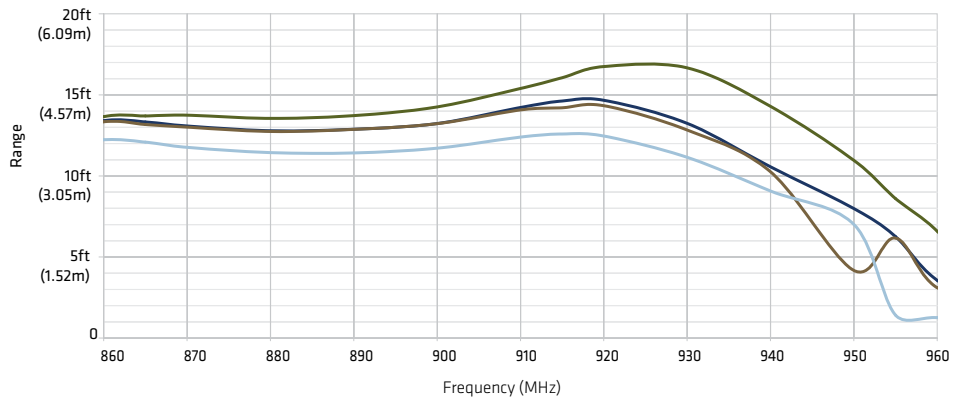
**Internet**

www.intermec.com  
Worldwide Locations:  
www.intermec.com/locations

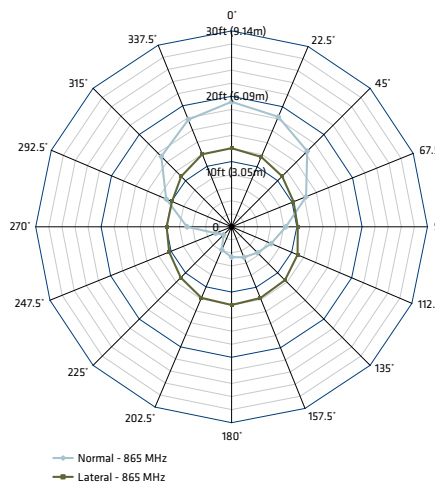
**Read Range Performance of IT67 - (Normal Orientation)**



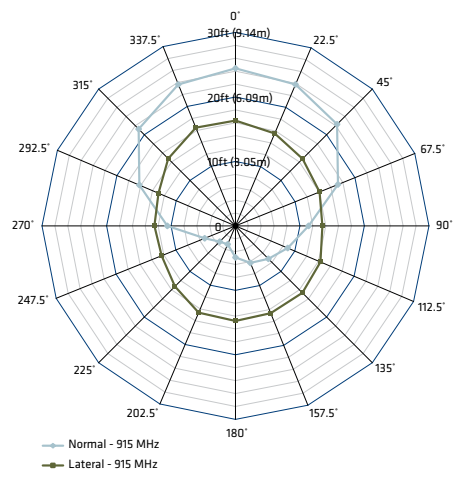
**Read Range Performance of IT67 - (Lateral Orientation)**



**865 MHz Read Range Pattern of IT67 in Principal Planes on Metal of 12"x12" (30.48cm x 30.48cm)**



**915 MHz Read Range Pattern of IT67 in Principal Planes on Metal of 12"x12" (30.48cm x 30.48cm)**



**Sales**

Toll Free NA: (800) 934-3163  
Toll in NA: (425) 348-2726  
Freephone ROW: 00 800 4488 8844  
Toll ROW: +44 134 435 0296

**OEM Sales**

Phone: (425) 348-2762

**Media Sales**

Phone: (513) 874-5882

**Customer Service and Support**

Toll Free NA: (800) 755-5505  
Toll in NA: (425) 356-1799

Note: All measurements reflect output power of 4W EIRP



Copyright © 2009 Intermec Technologies Corporation. All rights reserved. Intermec is a registered trademark of Intermec Technologies Corporation. All other trademarks are the property of their respective owners. Printed in the U.S.A. 611916-01D 02/09

In a continuing effort to improve our products, Intermec Technologies Corporation reserves the right to change specifications and features without prior notice.





[www.L-TronDirect.com](http://www.L-TronDirect.com)

800-830-9523

[info@L-Tron.com](mailto:info@L-Tron.com)

596 Fishers Station Dr | Victor, NY | 14564 | Suite 1 A

[www.L-Tron.com](http://www.L-Tron.com)

