



## SIMPLE TO INTEGRATE

Designed for easy integration, the Gryphon I GFS4100 reader provides a simple 'plug-and-play' solution for system designers. Constructed using high-impact resin to withstand repeated cleanings with solvents and disinfectant solutions, the sealed enclosure meets industrial standards against water and particulates to provide dependable and reliable scanning performance.

## ADVANCED IMAGING TECHNOLOGY

The Gryphon I GFS4100 OEM module shares the same excellent reading characteristics found in the premium line of Gryphon™ 4100 series of handheld devices. Featuring outstanding near-field reading, a wide angle field-of-view, improved motion tolerance and snappy reading, it also offers integrators excellent performance on decoding poor or damaged codes. As with all Gryphon readers, the GFS4100 reader offers users additional good-read visual confirmation with Datalogic's patented 'Green Spot' technology.

## CONTINUOUS SCANNING CAPABILITY

The Gryphon I GFS4100 reader supports several modes that can be used as a trigger. The module has the ability to automatically sense objects and trigger itself. A continuous scan mode transmits data whenever a bar code passes into its field of view. The reader can be triggered remotely using input from programmable logic controller (PLC) or sensor.



### FEATURES

- High-speed imaging for fast moving codes
- Read rate: 320 reads/second
- Excellent near-field reading at the scan window
- Supports all common linear (1D) bar codes including GS1 DataBar™
- Reads high resolution bar codes up to 3 mils
- Datalogic's patented Green Spot for good-read feedback
- Integrated good-read beeper
- Automatic sensing or manual trigger options available
- Integrated interface cable
- High-impact resin creates a solvent-tolerant enclosure
- Water and Particulate Sealing Rating: IP54
- EASEOFCARE Service Plans offer a wide range of service options to protect your investment, ensuring maximum productivity and ROI

### INDUSTRY-APPLICATIONS

- OEM Applications:
  - Service Kiosks
  - Price Verifiers
  - Ticket Readers
  - Document Handling
  - Medical Laboratories
  - Vending Machines
  - Additional Automated Equipment

## DECODING CAPABILITY

1D / LINEAR CODES      Autodiscriminates all standard 1D codes including GS1 DataBar™ linear codes.

## ELECTRICAL

CURRENT      Operating (Typical): 390 mA  
Standby/Idle (Typical): GFS4170: < 2.5 mA

INPUT VOLTAGE      5 VDC +/- 5%

## ENVIRONMENTAL

AMBIENT LIGHT      0 - 100,000 lux

DROP RESISTANCE      Withstands repeated drops from 0.76 m / 2.50 ft onto a concrete surface

ESD PROTECTION (AIR DISCHARGE)      16 kV

HUMIDITY (NON-CONDENSING)      95%

PARTICULATE AND WATER SEALING      IP54

TEMPERATURE      Operating: 0 to 50 °C / 32 to 122 °F  
Storage/Transport: -25 to 50 °C / -13 to 122 °F

## INTERFACES

INTERFACES      RS-232; USB

## PHYSICAL CHARACTERISTICS

COLORS AVAILABLE      Grey; Other colors and custom logo options are available for minimum quantity purchase.

DIMENSIONS      3.9 x 5.7 x 5.8 cm / 1.5 x 2.2 x 2.3 in

WEIGHT      170.0 g / 6.0 oz (including a 2.0 m / 6.6 ft RS-232 cable)

## READING PERFORMANCE

IMAGER SENSOR      CCD Solid State

LIGHT SOURCE      Illumination: Dual LED Array 630 - 670 nm

PRINT CONTRAST RATIO (MINIMUM)      15%

READ RATE (MAXIMUM)      320 reads/sec.

READING ANGLE      Pitch: +/- 65°; Roll (Tilt): +/- 35°;  
Skew (Yaw): +/- 65°

READING INDICATORS      Beeper; Datalogic 'Green Spot' Good Read Feedback; Good Read LED

RESOLUTION (MAXIMUM)      0.076 mm / 3 mils

## READING RANGES

TYPICAL DEPTH OF FIELD      Minimum distance determined by symbol length and scan angle.  
Printing resolution, contrast, and ambient light dependent.  
5 mils: 5.0 to 16.0 cm / 2.0 to 6.3 in  
8 mils: 3.0 to 27.0 cm / 1.2 to 10.6 in  
10 mils: 1.5 to 30.0 cm / 0.6 to 11.8 in  
13 mils: 3.0 to 40.0 cm / 1.2 to 15.7 in  
20 mils: up to 60.0 cm / up to 23.6 in

## SAFETY & REGULATORY

AGENCY APPROVALS      The product meets necessary safety and regulatory approvals for its intended use. The Quick Reference Guide for this product can be referred to for a complete list of certifications.

ENVIRONMENTAL COMPLIANCE      Complies to China RoHS; Complies to EU RoHS

LED CLASSIFICATION      IEC 60825-1 Class 1 LED Product

## UTILITIES

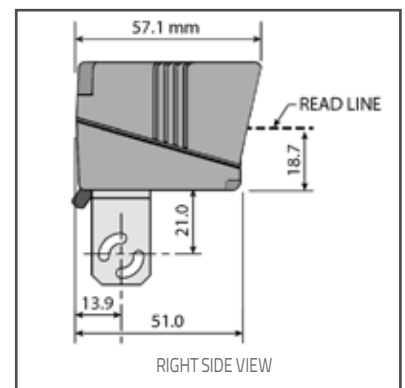
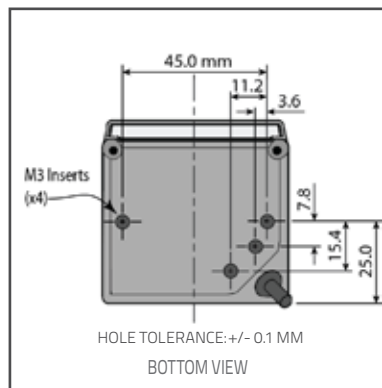
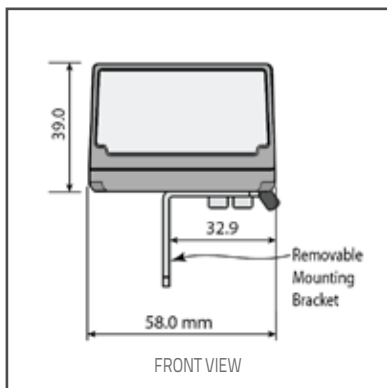
DATALOGIC ALADDIN™      Datalogic Aladdin configuration program is available for download at no charge.

OPOS / JAVAPOS      JavaPOS Utilities are available for download at no charge.  
OPOS Utilities are available for download at no charge.

REMOTE HOST DOWNLOAD      Lowers service costs and improves operations.

## WARRANTY

WARRANTY      3-Year Factory Warranty





[www.L-TronDirect.com](http://www.L-TronDirect.com)

800-830-9523

[info@L-Tron.com](mailto:info@L-Tron.com)

596 Fishers Station Dr | Victor, NY | 14564 | Suite 1 A

[www.L-Tron.com](http://www.L-Tron.com)

Get in touch with us  
on social media!

