

## FIXED MOUNT LINEAR IMAGER BAR CODE READER

Using advanced imaging technology, the Gryphon™ | GFS4100 fixed mount bar code reader provides a complete self-contained solution for OEM use into self-service kiosks, price verifiers, ticket readers, document handling, and medical laboratory applications, as well as vending machines and other automated equipment.

Designed for easy integration, the Gryphon | GFS4100 reader provides a simple 'plug-and-play' solution for system designers. Constructed using high-impact resin to withstand repeated cleanings with solvents and disinfectant solutions, the sealed enclosure meets industrial standards against water and particulates to provide dependable and reliable scanning performance.

The Gryphon | GFS4100 OEM module shares the same excellent reading characteristics found in the premium line of Gryphon™ 4100 series of handheld devices. Featuring outstanding near-field reading, a wide angle field-of-view, improved motion tolerance and snappy reading, it also offers integrators excellent performance on decoding poor or damaged codes. As with all Gryphon readers, the GFS4100 reader offers users additional good-read visual confirmation with Datalogic's patented 'Green Spot' technology.

The Gryphon | GFS4100 reader supports several modes that can be used as a trigger. The module has the ability to automatically sense objects and trigger itself. A continuous scan mode transmits data whenever a bar code passes into its field of view. The reader can be triggered remotely using input from programmable logic controller (PLC) or sensor.

Available in two models, the GFS4150-9 model supports an RS-232 serial interface, or the GFS4170 features a USB interface. The USB version supports both USB-HID for easy integration and keyboard emulation, or USB COM for virtual serial communications.

## FEATURES

- High-speed imaging for fast moving codes
- Read rate: 320 reads/second
- Excellent near-field reading at the scan window
- Supports all common linear (1D) bar codes including GS1 DataBar™
- Reads high resolution bar codes up to 3 mils
- Datalogic's patented Green Spot for good-read feedback
- Integrated good-read beeper
- Automatic sensing or manual trigger options available
- Integrated interface cable
- High-impact resin creates a solvent-tolerant enclosure
- Water and Particulate Sealing Rating: IP54



## DECODING CAPABILITY

1D / LINEAR CODES Autodiscriminates all standard 1D codes including GS1 DataBar™ linear codes.

## ELECTRICAL

CURRENT Operating (Typical): 390 mA  
Standby/Idle (Typical): GFS4170: < 2.5 mA

INPUT VOLTAGE 5 VDC +/- 5%

## ENVIRONMENTAL

AMBIENT LIGHT 0 - 100,000 lux

DROP RESISTANCE Withstands repeated drops from 0.76 m / 2.50 ft onto a concrete surface

ESD PROTECTION (AIR DISCHARGE) 16 kV

HUMIDITY (NON-CONDENSING) 95%

PARTICULATE AND WATER SEALING IP54

TEMPERATURE Operating: 0 to 50 °C / 32 to 122 °F  
Storage/Transport: -25 to 50 °C / -13 to 122 °F

## INTERFACES

INTERFACES RS-232; USB

## PHYSICAL CHARACTERISTICS

COLORS AVAILABLE Grey; Other colors and custom logo options are available for minimum quantity purchase.

DIMENSIONS 3.9 x 5.7 x 5.8 cm / 1.5 x 2.2 x 2.3 in

WEIGHT 170.0 g / 6.0 oz (including a 2.0 m / 6.6 ft RS-232 cable)

## READING PERFORMANCE

IMAGER SENSOR CCD Solid State

LIGHT SOURCE Illumination: Dual LED Array 630 - 670 nm

PRINT CONTRAST RATIO (MINIMUM) 15%

READ RATE (MAXIMUM) 320 reads/sec.

READING ANGLE Pitch: +/- 65°; Roll (Tilt): +/- 35°; Skew (Yaw): +/- 65°

READING INDICATORS Beeper; Datalogic 'Green Spot' Good Read Feedback; Good Read LED

RESOLUTION (MAXIMUM) 0.076 mm / 3 mils

## READING RANGES

TYPICAL DEPTH OF FIELD Minimum distance determined by symbol length and scan angle.  
Printing resolution, contrast, and ambient light dependent.

5 mils: 5.0 to 16.0 cm / 2.0 to 6.3 in  
8 mils: 3.0 to 27.0 cm / 1.2 to 10.6 in  
10 mils: 1.5 to 30.0 cm / 0.6 to 11.8 in  
13 mils: 3.0 to 40.0 cm / 1.2 to 15.7 in  
20 mils: up to 60.0 cm / up to 23.6 in

## SAFETY & REGULATORY

AGENCY APPROVALS The product meets necessary safety and regulatory approvals for its intended use.  
The Quick Reference Guide for this product can be referred to for a complete list of certifications.

ENVIRONMENTAL COMPLIANCE Complies to China RoHS; Complies to EU RoHS

LED CLASSIFICATION IEC 60825-1 Class 1 LED Product

## UTILITIES

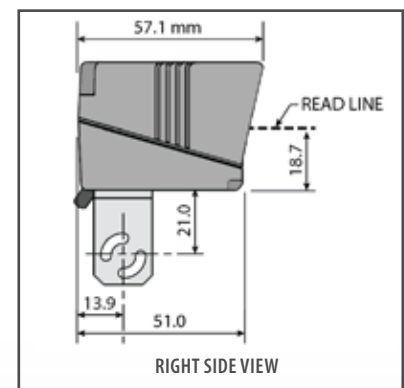
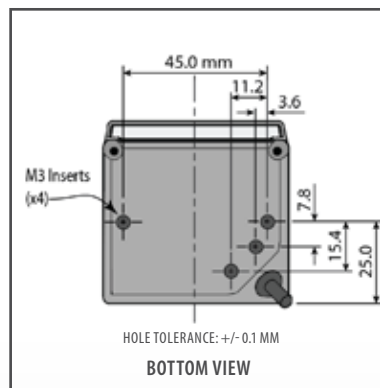
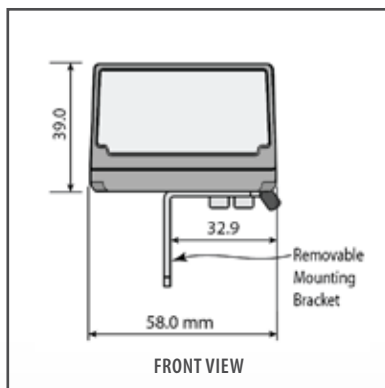
DATALOGIC ALADDIN™ Datalogic Aladdin configuration program is available for download at no charge.

OPOS / JAVAPOS JavaPOS Utilities are available for download at no charge.  
OPOS Utilities are available for download at no charge.

REMOTE HOST DOWNLOAD Lowers service costs and improves operations.

## WARRANTY

WARRANTY 3-Year Factory Warranty





[www.L-TronDirect.com](http://www.L-TronDirect.com)

800-830-9523

[info@L-Tron.com](mailto:info@L-Tron.com)

596 Fishers Station Dr | Victor, NY | 14564 | Suite 1 A

[www.L-Tron.com](http://www.L-Tron.com)

