

# UniMag Pro™

*Three-Track Secure Credit Card Reader for Mobile Devices*

## **Card Swiping on your Mobile Device**

The ID TECH UniMag Pro is a magnetic stripe reader that communicates with mobile devices via the headphone jack. Use your mobile device to read a variety of magnetic stripes, including credit cards, signature debit cards, gift cards, and loyalty cards.

## **Superior MagStripe Reading Performance**

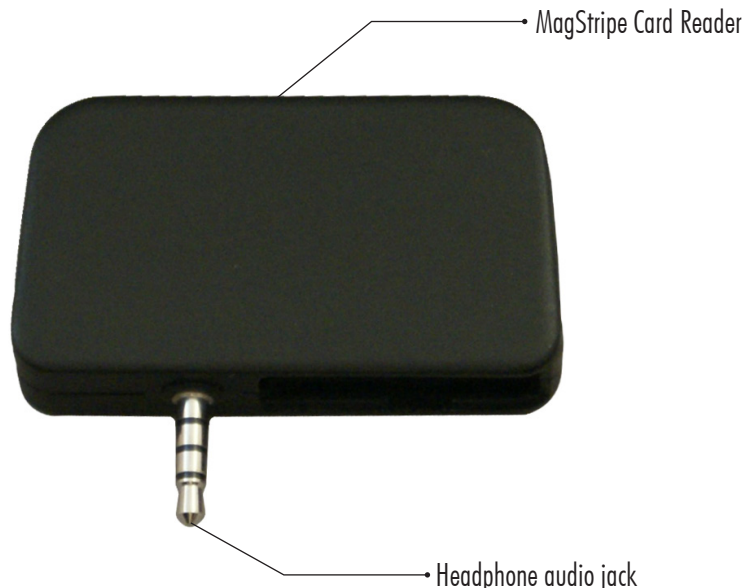
The UniMag Pro utilizes ID TECH's proven MagStripe reading technology, providing bidirectional card reading of up to three tracks of information. With a guaranteed operating life of at least 100,000 card swipes, the UniMag Pro offers exceptional card reading capabilities in a durable form factor.

## **Incredible Convenience and Cost Savings**

The ID TECH UniMag Pro allows merchants to provide their customers with another acceptable method of payment, and with the capability to swipe credit cards, merchants can save money by avoiding costly card-not-present fees. With the ID TECH UniMag Pro, merchants can accept credit card payments wherever they go.

## **Features and Benefits:**

- **Plugs into audio headphone jack - no cables or batteries**
- **Mechanical design allows easy and reliable card swipe**
- **Supports TDES and AES encryption using DUKPT key management**
- **Reads up to three tracks of card data**
- **Superior MagStripe reading performance**
- **Bidirectional card reading**
- **Low battery consumption of mobile devices**
- **No external power supply required**
- **SDK available for Apple, Android, and Blackberry platforms**



# UniMag Pro™

## Specifications ID-80110004-XXX

### Electrical

Interfaces: Audio headphone jack

### Environmental

Operating Temperature: 32°F to 131°F (0°C to 55°C) non-condensing  
Storage Temperature: -22°F to 158°F (-30°C to 70°C) non-condensing  
Humidity: Maximum 95% non-condensing, dry storage

### Reliability

Operating Life: 100,000 card swipes minimum  
Warranty: One year, parts and labor

### Mechanical

Dimension (L)x(W)x(H): 2.32 inches (59 mm) x 0.67 inches (17 mm) x 1.38 inches (35 mm)  
Media Thickness: 0.015 inches (0.381 mm) to 0.035 inches (0.889 mm)  
Media Formats: ISO 7811, AAMVA, and CA DMV  
Swipe Speed: 3 to 60 inches per second, bidirectional  
Weight: 0.888 oz.

Please visit [www.idtechproducts.com](http://www.idtechproducts.com) for the most up-to-date lists of hardware and software compatibility.

### United States Sales Office

#### Corporate Headquarters

10721 Walker Street  
Cypress, CA 90630  
Phone: (714) 761-6368  
Toll Free: (800) 984-1010  
Fax: (714) 761-8880  
[sales@idtechproducts.com](mailto:sales@idtechproducts.com)

### International Sales Offices

#### Asia

+866-3-496-6988 (Taiwan)  
[asia@idtechproducts.com.tw](mailto:asia@idtechproducts.com.tw)

#### Canada

+450-465-5261  
[robertop@idtechproducts.com](mailto:robertop@idtechproducts.com)

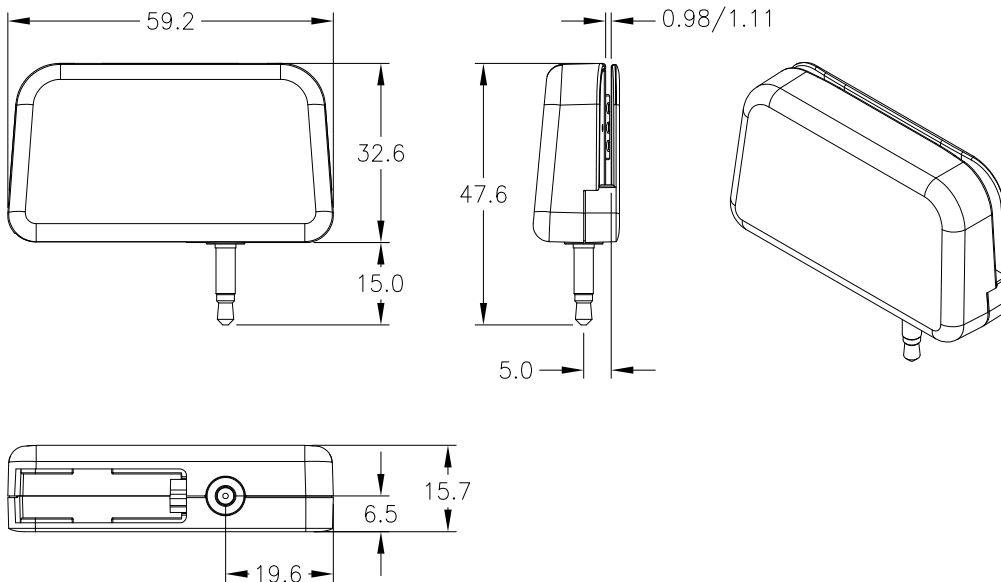
#### South America

+55-11-3079-2255  
[internationalsales@idtechproducts.com](mailto:internationalsales@idtechproducts.com)

#### Europe

Germany & United Kingdom  
[emea@idtechproducts.com](mailto:emea@idtechproducts.com)

### ISO 9001 Certified



Value through Innovation

[www.idtechproducts.com](http://www.idtechproducts.com)



[www.L-TronDirect.com](http://www.L-TronDirect.com)

800-830-9523

[info@L-Tron.com](mailto:info@L-Tron.com)

596 Fishers Station Dr | Victor, NY | 14564 | Suite 1 A

[www.L-Tron.com](http://www.L-Tron.com)

