

MiniMag™

Compact Intelligent MagStripe Swipe Reader

Full Functionality & Compact Size

The MiniMag Intelligent Reader delivers exceptional performance in brilliantly designed housing. It can read up to three tracks of magnetic stripe card data regardless of swiping direction or speed which increases usability. MiniMag's compact footprint is ideal for POS, security, loyalty and other applications where space is limited.

Easy to Use & Install

The uniquely designed flat surface allows for mounting in different orientations using threaded inserts or Velcro®. The cable can exit through the side or bottom which provides flexibility in mounting options.

Multiple Interfaces to Meet Your Needs

MiniMag is an intelligent swipe reader with six communication interfaces: keyboard (PS/2) wedge, USB keyboard, USB HID, RS-232, RS-232 Port Powered, and USB CDC serial interfaces. JPOS and OPOS drivers are also available.

Many Programmable Features

The MiniMag is a fully programmable reader. Reader output format can be customized with user-friendly, Windows-based MagSwipe Configuration Utility. For example, after reading and validating card data, the unit can be programmed to parse the data, insert control characters, and add prefix/suffix characters while maintaining data integrity through vertical and longitudinal error checking. The reader also includes language options to ensure that the correct data is sent to the terminal.

Features and Benefits

- Interfaces: Keyboard, RS-232, RS-232 Port Powered, USB keyboard, USB CDC, or USB HID
- User-friendly configuration software, simplified data editing and configuration
- Discriminates card data formats between AAMVA and CA DMV
- Reads up to three tracks of information
- Reliable MagStripe reader for a minimum of one million card swipes
- Clear identification of successful card reads with a beeper and LED indicators
- Can be used free-standing or mounted to work with a variety of applications
- Threaded inserts for easy and flexible mounting



IDTECH®
Value through Innovation

MiniMag™ Specifications IDMB-33XXXX

Electrical

| | |
|---------------------|---|
| Power Requirements: | + 5 VDC +/-10%, 50mV ripple Max. Keyboard (PS/2), 40mA Max. RS-232, 70mA Max. USB-HID, USB-CDC, and USB-KB, 70mA Max |
| Interfaces: | Keyboard (PS/2), RS-232, RS-232 Port Powered, USB-KB, USB-HID, USB-CDC |

Environmental

| | |
|------------------------|---|
| Operating Temperature: | 0°C to 55°C (32°F to 131°F) |
| Storage Temperature: | -30°C to 65°C (-22°F to 149°F) |
| Humidity: | Maximum 95% non-condensing, dry storage |

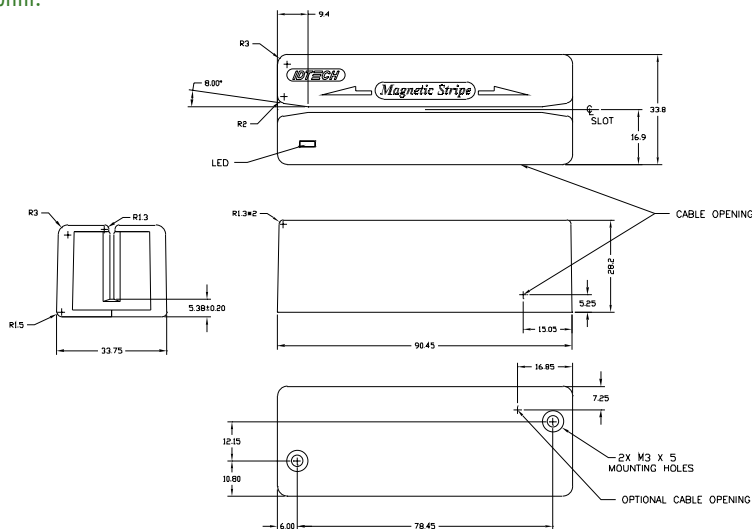
Reliability

| | |
|-----------------|----------------------------|
| Operating Life: | 1,000,000 cycles minimum |
| Warranty: | Two years, parts and labor |

Mechanical

| | |
|------------------------|--|
| Media Thickness: | 0.015 inches (0.381mm) to 0.038 inches (1.14mm) |
| Media Formats: | ISO 7811, AAMVA, and other F2F formats |
| Slot Width: | 0.040 inches (1.37mm) |
| Swipe Speed: | 3 to 60 inches per second, bi-directional |
| Dimensions(L)x(W)x(H): | 3.54 inches (90mm) x 1.34 inches (34mm) x 1.10 inches (28mm) |
| Weight: | 4.6 oz. |
| Indicators: | Tri-colored LED, beeper (excluding on port-powered model) |
| Cable Length: | 6-foot side exit cable (Bottom exit is an option) |
| Cable Connector: | Keyboard - 6 pin mini-DIN, RS-232 DB9F |

Footprint:



IDTECH®

Value through Innovation

Corporate Headquarters:

10721 Walker Street, Cypress, California 90630
www.idtechproducts.com
(714) 761-6368 sales@idtechproducts.com

International Sales Office for Canada & South America:

+ 450 465 5261 (Canada) robertop@idtechproducts.com

European Sales Offices:

+ 49(0) 8851 6159900 (Germany)
emea@idtechproducts.com

ISO 9001 Certified



www.L-TronDirect.com

800-830-9523

info@L-Tron.com

596 Fishers Station Dr | Victor, NY | 14564 | Suite 1 A

www.L-Tron.com

Get in touch with us
on social media!

