

Product profile

IT₃₆
IT₇₅
IT₇₆

Low Profile
Durable RFID Asset Tags



- Excellent price per performance
- EPCglobal UHF Class 1 Gen 2/ 18000-6C compliant
- Rugged encapsulation for harsh environments
- Low profile, small form factor
- Superior read range
- Reusable for lower cost per use

Intermec's rugged Low Profile Durable Asset Tags have been designed to provide superior performance and high durability on a variety of surfaces at a low cost.

Utilizing the latest generation of Gen 2 silicon supporting 512 bits of user memory within a small, durable form factor, Intermec's Durable Asset Tags are suitable for tracking a wide variety of assets.

The IT36 is tuned for a wide frequency band to include both FCC and ETSI regions and is optimized primarily for non-metal surfaces, such as reusable plastic containers and wooden and plastic pallets.

The IT75 (tuned for FCC regions) and the IT76 (tuned for ETSI regions) are optimized specifically for metal surfaces such as metal pallets, ULDs, and other metal assets.

Typical IT36 Applications Include:

- Returnable & Reusable Plastic Containers (RPCs), including totes, bins, trays, and boxes.
- Wood and plastic pallets
- Carts

Typical IT75/IT76 Applications Include:

- Metal assets
- Metal containers, cages, and pallets
- Conveyance assets (containers and trailers)
- Unit Load Devices (ULDs)

Attachment Methods

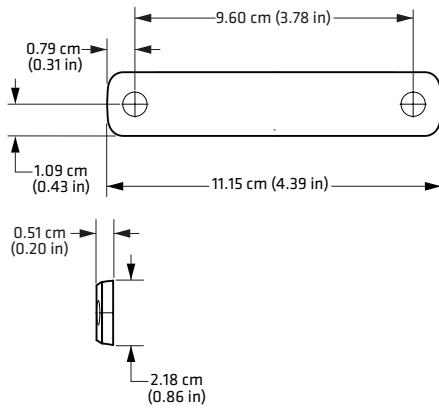
The Durable Asset Tags can be attached using screws, rivets, double-sided adhesive strips or a variety of other methods.

Reader Compatibility

The Durable Asset Tags are compatible with any Intermec UHF RFID reader and or any competitive EPCglobal UHF Class 1 Gen 2/ISO 18000-6C reader.

Form Factor

Rigid Case: 4.39 in x 0.86 in x 0.20 in
(11.15 cm x 2.18 cm x 0.51 cm)



Air Interface

EPCglobal UHF Class Gen 2/ISO 18000-6C

Chip type: Monza 4QT with 512 bits of user memory, 128 bits of EPC memory, and serialized TID

Data Retention:

EEPROM 2 years min

EEPROM write endurance 10,000 cycles

Environmental

IP67 Environmental Rating

Temperature Ratings

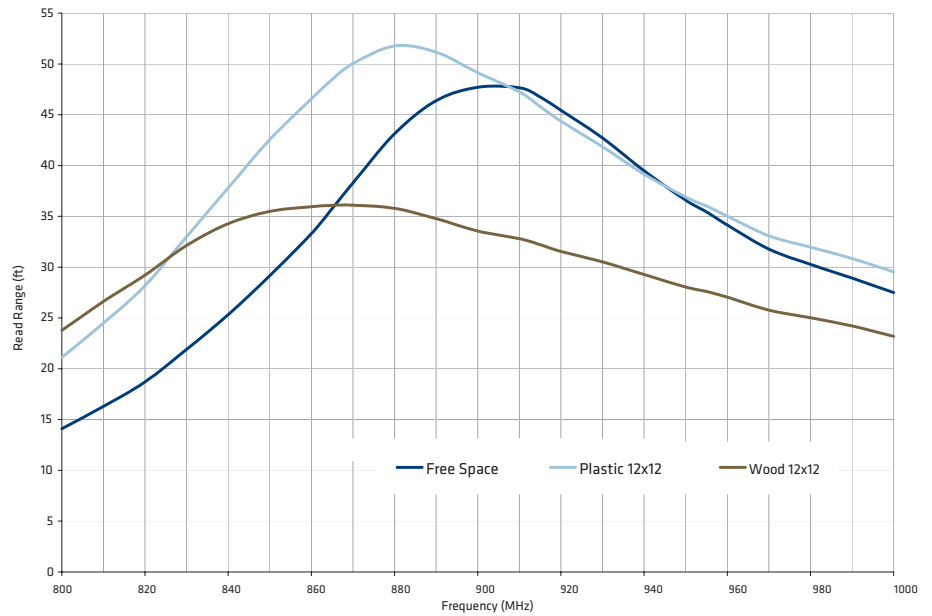
Operating: -40°F to 180°F (-40°C to 82.2°C)

Storage: -40°F to 200°F (-40°C to 93.3°C)

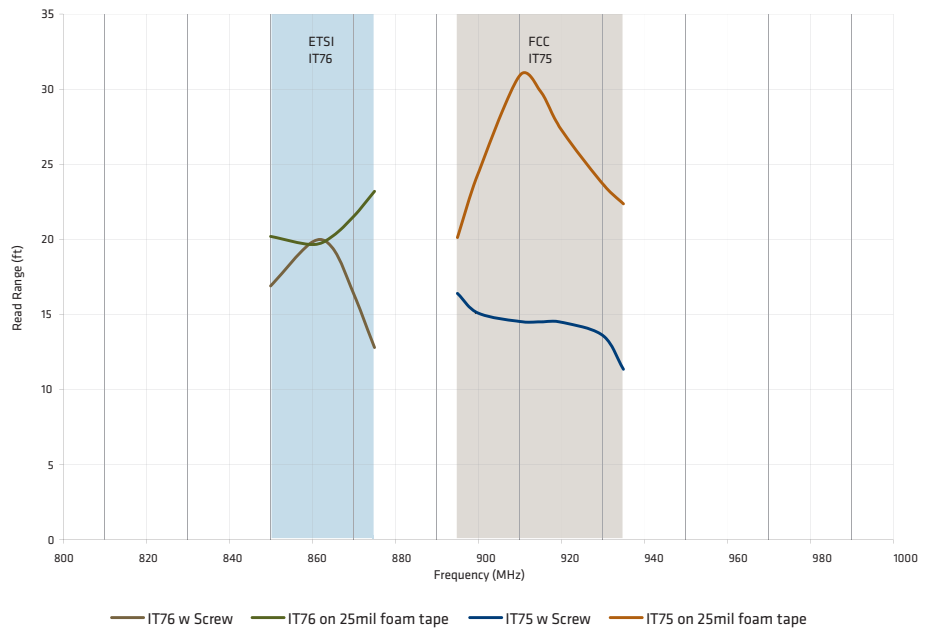
Vibration: 5g RMS, 1.5-2000 Hz flat spectrum

Recommended Adhesive Tape: 3M™ VHB™ Tape Number 4646 (25 mil (0.64 mm) thickness)

Read Range Performance of IT36 Durable Asset Tag



Read Range Performance of IT75 and IT76 Durable Asset Tags



North America

Corporate Headquarters

6001 36th Avenue West
Everett, Washington 98203
Phone: (425) 348-2600
Fax: (425) 355-9551

North Latin America

Headquarters Office

Mexico
Phone: +52 55 52-41-48-00
Fax: +52 55 52-11-81-21

South Latin America

Headquarters Office

Brazil
Phone: +55 11 5502.6770
Fax: +55 11 5502.6780

Europe/Middle East & Africa

Headquarters Office

Reading, United Kingdom
Phone: +44 118 923 0800
Fax: +44 118 923 0801

Asia Pacific

Headquarters Office

Singapore
Phone: +65 6303 2100
Fax: +65 6303 2199

Internet

www.intermec.com
Worldwide Locations:
www.intermec.com/locations

Sales

Toll Free NA: (800) 934-3163
Toll in NA: (425) 348-2726
Freephone ROW:
00 800 4488 8844
Toll ROW: +44 134 435 0296

OEM Sales

Phone: (425) 348-2762

Media Sales

Phone: (513) 874-5882

Customer Service and Support

Toll Free NA: (800) 755-5505
Toll in NA: (425) 356-1799



Copyright © 2010 Intermec Technologies Corporation. All rights reserved. Intermec is a registered trademark of Intermec Technologies Corporation. All other trademarks are the property of their respective owners. Printed in the U.S.A. 611913-01C 10/10

In a continuing effort to improve our products, Intermec Technologies Corporation reserves the right to change specifications and features without prior notice.





www.L-TronDirect.com

800-830-9523

info@L-Tron.com

596 Fishers Station Dr | Victor, NY | 14564 | Suite 1 A

www.L-Tron.com

