

## Product profile

IT<sub>36</sub>  
IT<sub>75</sub>  
IT<sub>76</sub>

Low Profile  
Durable RFID Asset Tags



- Excellent price per performance
- EPCglobal UHF Class 1 Gen 2/ 18000-6C compliant
- Rugged encapsulation for harsh environments
- Low profile, small form factor
- Superior read range
- Reusable for lower cost per use

Intermec's rugged Low Profile Durable Asset Tags have been designed to provide superior performance and high durability on a variety of surfaces at a low cost.

Utilizing the latest generation of Gen 2 silicon supporting 512 bits of user memory within a small, durable form factor, Intermec's Durable Asset Tags are suitable for tracking a wide variety of assets.

The IT36 is tuned for a wide frequency band to include both FCC and ETSI regions and is optimized primarily for non-metal surfaces, such as reusable plastic containers and wooden and plastic pallets.

The IT75 (tuned for FCC regions) and the IT76 (tuned for ETSI regions) are optimized specifically for metal surfaces such as metal pallets, ULDs, and other metal assets.

### Typical IT36 Applications Include:

- Returnable & Reusable Plastic Containers (RPCs), including totes, bins, trays, and boxes.
- Wood and plastic pallets
- Carts

### Typical IT75/IT76 Applications Include:

- Metal assets
- Metal containers, cages, and pallets
- Conveyance assets (containers and trailers)
- Unit Load Devices (ULDs)

### Attachment Methods

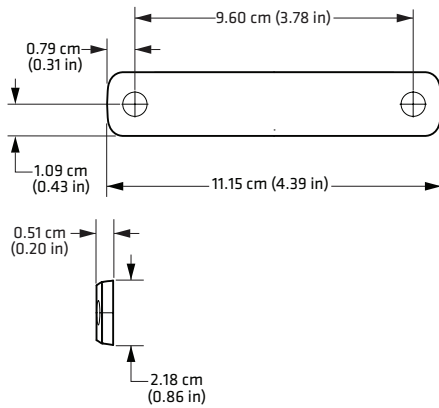
The Durable Asset Tags can be attached using screws, rivets, double-sided adhesive strips or a variety of other methods.

### Reader Compatibility

The Durable Asset Tags are compatible with any Intermec UHF RFID reader and or any competitive EPCglobal UHF Class 1 Gen 2/ISO 18000-6C reader.

**Form Factor**

Rigid Case: 4.39 in x 0.86 in x 0.20 in  
(11.15 cm x 2.18 cm x 0.51 cm)



**Air Interface**

EPCglobal UHF Class Gen 2/ISO 18000-6C

**Chip type:** Monza 4QT with 512 bits of user memory, 128 bits of EPC memory, and serialized TID

**Data Retention:**

EEPROM 2 years min

EEPROM write endurance 10,000 cycles

**Environmental**

**IP67 Environmental Rating**

**Temperature Ratings**

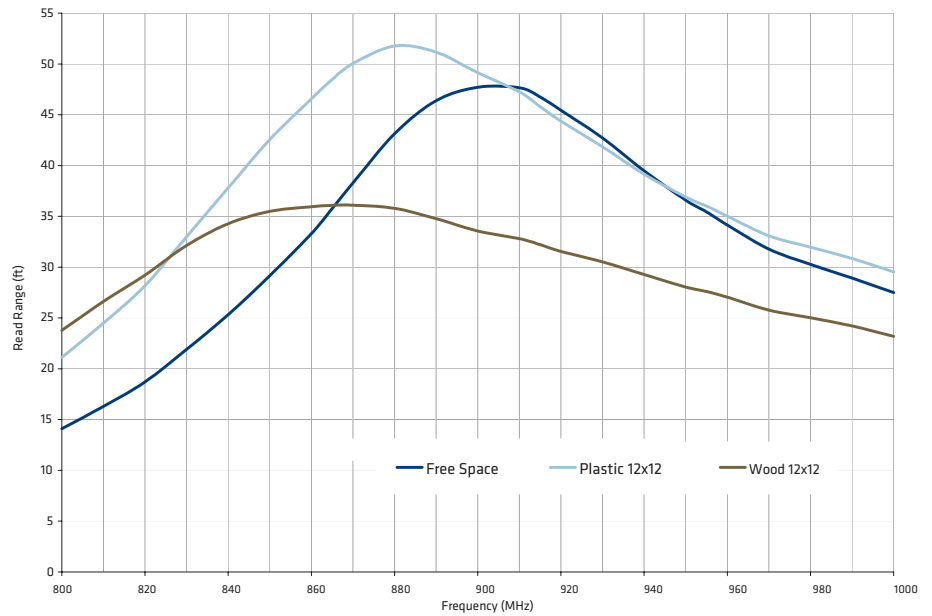
**Operating:** -40°F to 180°F (-40°C to 82.2°C)

**Storage:** -40°F to 200°F (-40°C to 93.3°C)

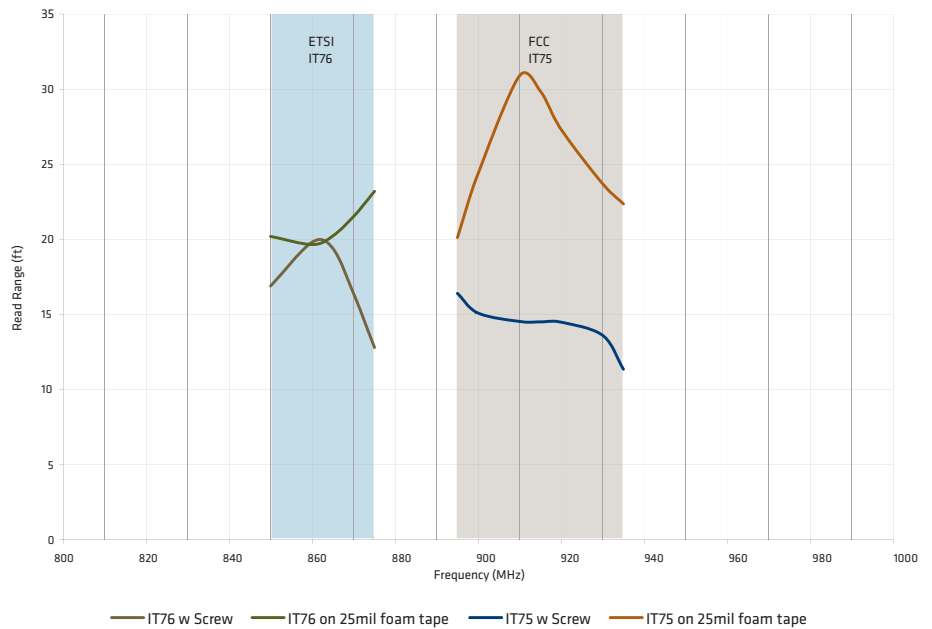
**Vibration:** 5g RMS, 1.5-2000 Hz flat spectrum

**Recommended Adhesive Tape:** 3M™ VHB™ Tape Number 4646 (25 mil (0.64 mm) thickness)

**Read Range Performance of IT36 Durable Asset Tag**



**Read Range Performance of IT75 and IT76 Durable Asset Tags**



**North America**

**Corporate Headquarters**

6001 36th Avenue West  
Everett, Washington 98203  
Phone: (425) 348-2600  
Fax: (425) 355-9551

**North Latin America**

**Headquarters Office**

Mexico  
Phone: +52 55 52-41-48-00  
Fax: +52 55 52-11-81-21

**South Latin America**

**Headquarters Office**

Brazil  
Phone: +55 11 5502.6770  
Fax: +55 11 5502.6780

**Europe/Middle East & Africa**

**Headquarters Office**

Reading, United Kingdom  
Phone: +44 118 923 0800  
Fax: +44 118 923 0801

**Asia Pacific**

**Headquarters Office**

Singapore  
Phone: +65 6303 2100  
Fax: +65 6303 2199

**Internet**

www.intermec.com  
Worldwide Locations:  
www.intermec.com/locations

**Sales**

Toll Free NA: (800) 934-3163  
Toll in NA: (425) 348-2726  
Freephone ROW:  
00 800 4488 8844  
Toll ROW: +44 134 435 0296

**OEM Sales**

Phone: (425) 348-2762

**Media Sales**

Phone: (513) 874-5882

**Customer Service and Support**

Toll Free NA: (800) 755-5505  
Toll in NA: (425) 356-1799



Copyright © 2010 Intermec Technologies Corporation. All rights reserved. Intermec is a registered trademark of Intermec Technologies Corporation. All other trademarks are the property of their respective owners. Printed in the U.S.A. 611913-01C 10/10

In a continuing effort to improve our products, Intermec Technologies Corporation reserves the right to change specifications and features without prior notice.





[www.L-TronDirect.com](http://www.L-TronDirect.com)

800-830-9523

[info@L-Tron.com](mailto:info@L-Tron.com)

596 Fishers Station Dr | Victor, NY | 14564 | Suite 1 A

[www.L-Tron.com](http://www.L-Tron.com)

Get in touch with us  
on social media!

