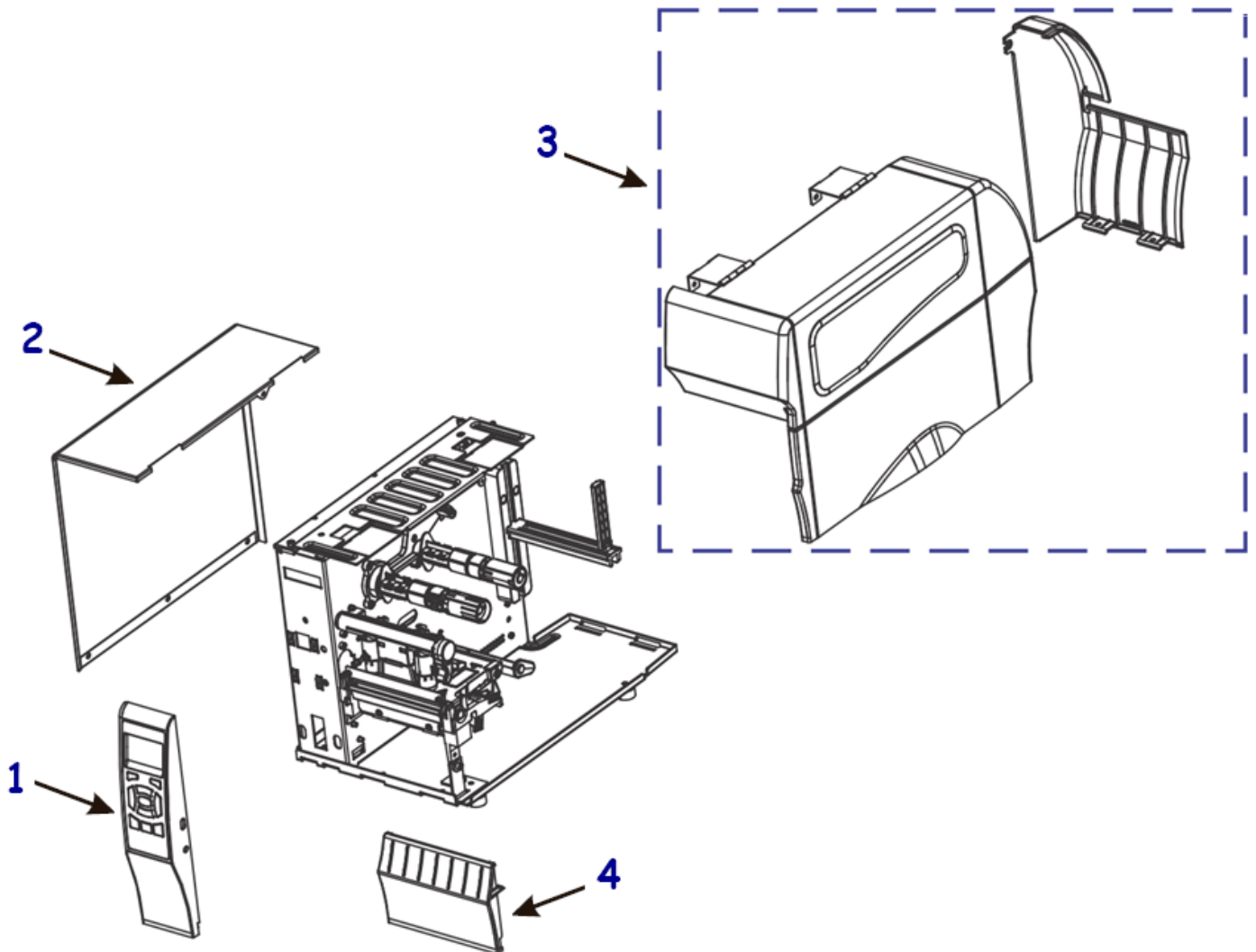


ZT200 Series Parts Catalog

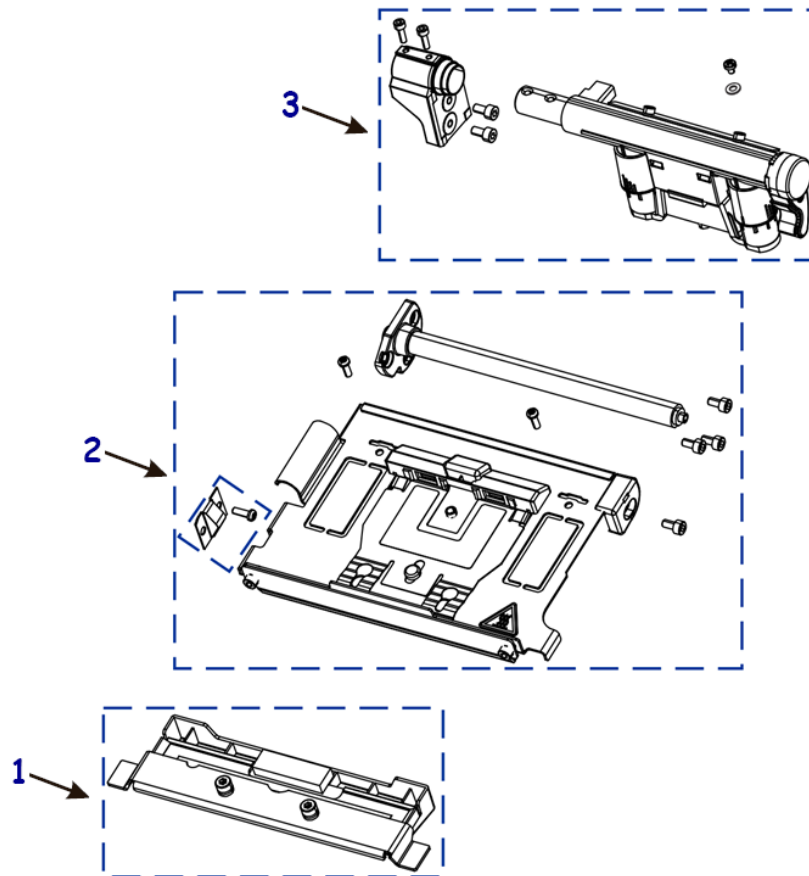
Outer Casing Components



Item Number	Description	Part Number	Kit Quantity
1	Kit Control Panel ZT230	P1037974-031	1
1	Kit Control Panel ZT220	P1037990-002	1
1	Kit Control Panel ZT210	P1037991-001	1
2	Kit Electronics Cover ZT230 or ZT210	P1037974-034	1
2	Kit Electronics Cover ZT220	P1037990-005	1
3	Kit Media Cover ZT230	P1037974-032	1
3	Kit Media Cover ZT220	P1037990-003	1
3	Kit Media Cover ZT210	P1037991-002	1
4	Kit Front Lower Panels ZT230 (includes tear and peel panels)	P1037974-033	1
4	Kit Front Lower Panels ZT220 or ZT210 (includes tear and peel panels)	P1037990-004	1
	Kit Media Window ZT230 or ZT210 only (not applicable to ZT220)	P1037974-049	1

ZT200 Series Parts Catalog

Print Mechanism Components



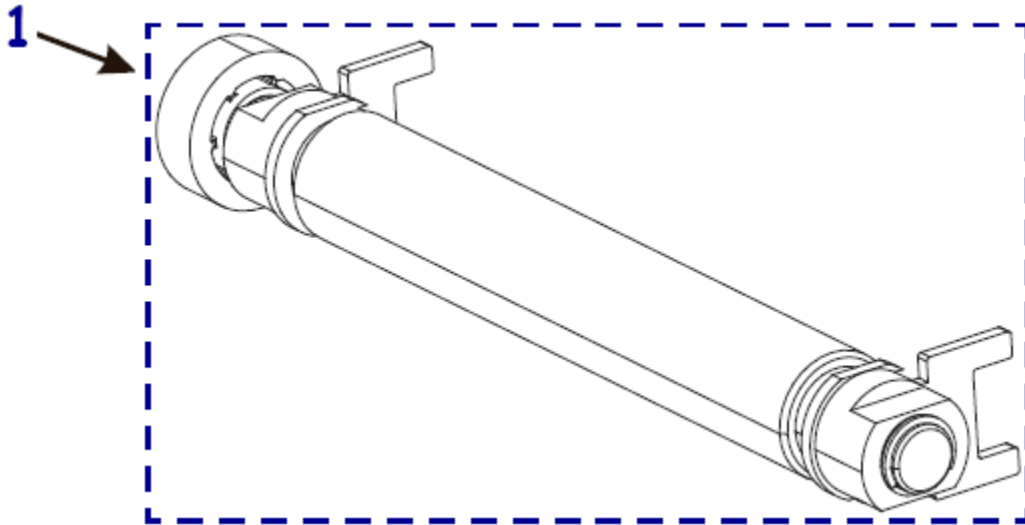
Item Number	Description	Part Number	Kit Quantity
1	Kit Printhead 203 dpi ZT200 Series	P1037974-010	1
1	Kit Printhead 300 dpi ZT200 Series	P1037974-011	1
2	Kit Thermal Transfer Print Mechanism ZT200 Series (includes ribbon sensor with cable, printhead cables and ground contact)	P1037974-013	1
2	Kit Direct Thermal Print Mechanism ZT200 Series (includes printhead cables and ground contact)	P1037974-056	1
3	Kit Toggle Bar ZT200 Series	P1037974-014	1
	Kit Ribbon Strip Plate and Ribbon Static Brush ZT200 Series	P1037974-047	1
	Kit Ground Contact ZT200 Series	P1037974-015	1

Printhead dpi conversion kits

Item Number	Description	Part Number	Kit Quantity
	Kit Convert 203 dpi to 300 dpi ZT200 Series	P1037974-005	1
	Kit Convert 300 dpi to 203 dpi ZT200 Series	P1037974-006	1

ZT200 Series Parts Catalog

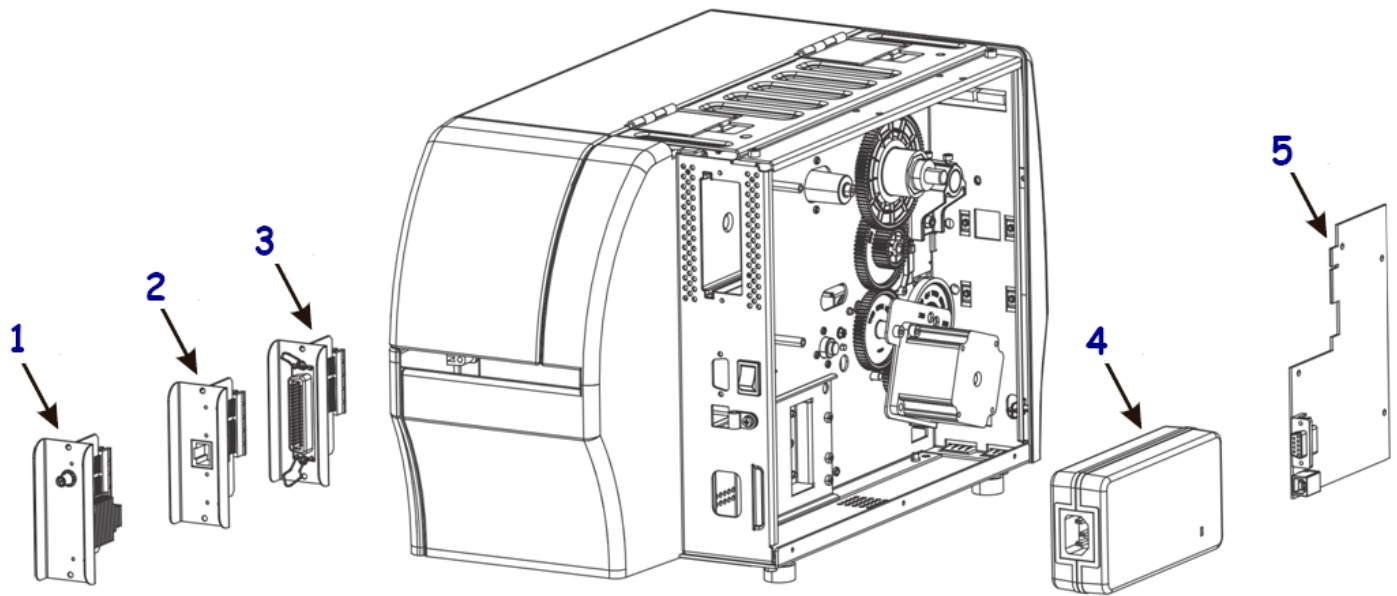
Platen Roller



Item Number	Description	Part Number	Kit Quantity
1	Kit Platen Roller ZT200 Series	P1037974-028	1

ZT200 Series Parts Catalog

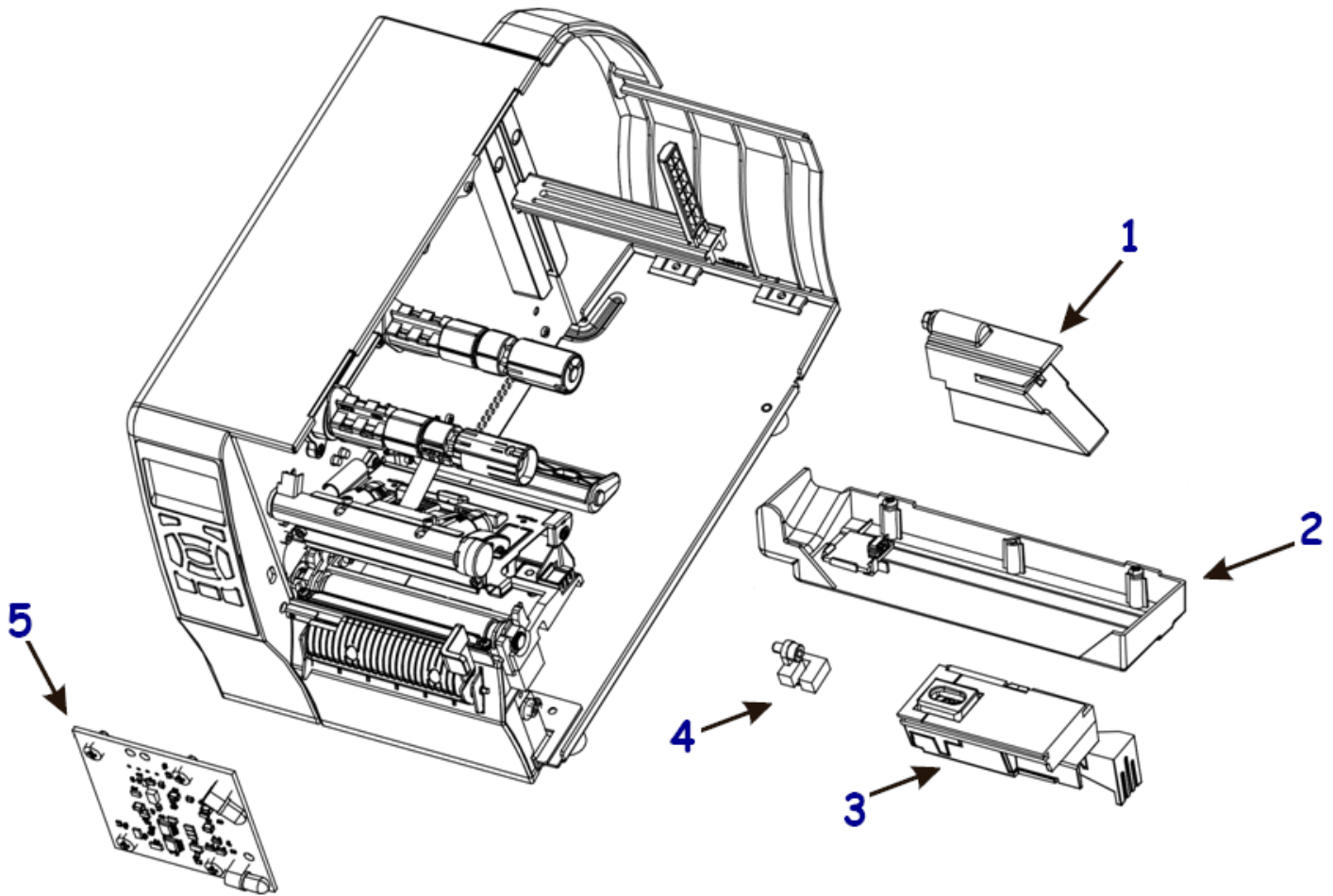
Electronic Components



Item Number	Description	Part Number	Kit Quantity
1	Kit ZebraNet Internal Wireless 802.11 n radio ZT200 Series USA & Canada	P1037974-003A	1
1	Kit ZebraNet Internal Wireless 802.11 n radio ZT200 Series Japan	P1037974-003B	1
1	Kit ZebraNet Internal Wireless 802.11 n radio ZT200 Series Europe, Asia, South America, Middle East, Africa, etc...	P1037974-003C	1
2	Kit Internal Printserver (Ethernet port) ZT200 Series	P1037974-001	1
3	Kit Parallel Port ZT200 Series	P1037974-002	1
4	Kit Power Supply ZT200 Series	P1037974-018	1
5	Kit Main Logic Board ZT200 Series	P1037974-017	1
	Kit Real Time Clock PCB ZT200 Series	P1037974-004	1
	Kit Power Switch ZT200 Series	P1037974-019	1
	Kit Brackets for Power Supply ZT200 Series	P1037974-043	1
	Kit Replacement Antenna for 802.11n Radio	P1037974-053	1
	Kit Electronics Cables for Cutter & LTU options	P1037974-020	1
	USA Power Cord	46693	1
	Europe Power Cord	46629	1
	UK Power Cord	46637	1
	Japan Power Cord	37609	1
	China Power Cord	47612	1

ZT200 Series Parts Catalog

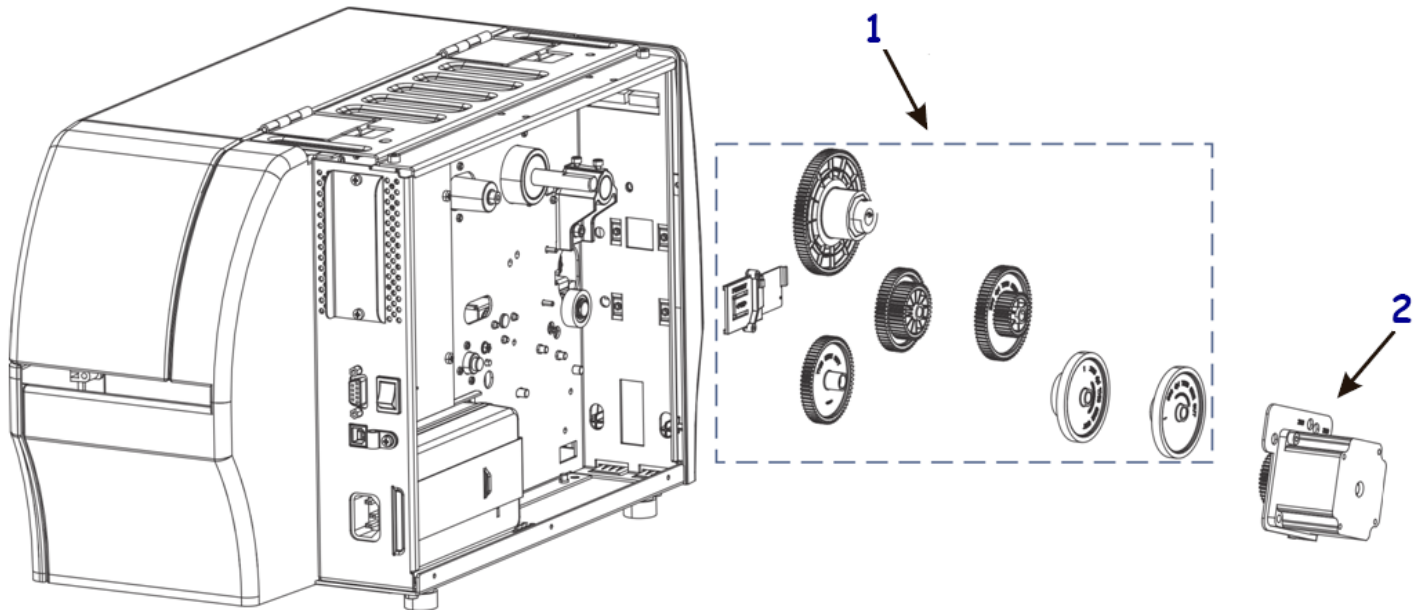
Sensors



Item Number	Description	Part Number	Kit Quantity
1	Kit Media Sensor ZT200 Series	P1037974-021	1
2	Kit Ribbon Sensor ZT200 Series	P1037974-023	1
3	Kit Reflective Sensor (Black Mark Sensor) ZT200 Series	P1037974-022	1
4	Kit Head Open Sensor ZT200 Series	P1037974-025	1
5	Kit Take Label Sensor ZT200 Series	P1037974-024	1

ZT200 Series Parts Catalog

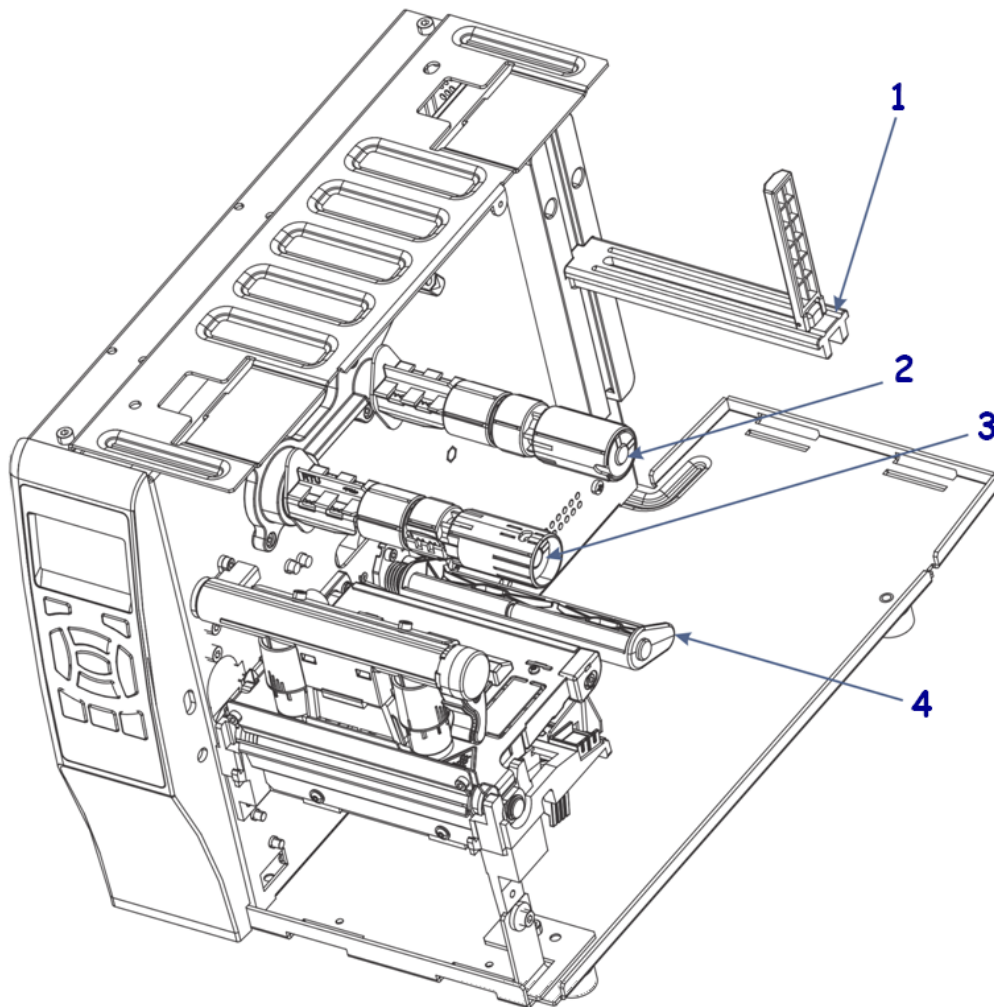
Drive System Components



Item Number	Description	Part Number	Kit Quantity
1	Kit Drive Gears ZT200 Series (includes gears for 203 dpi and 300 dpi) only for serial numbers <u>less</u> than TT143103477	P1037974-029	1
1	Kit Drive Gears ZT200 Series (includes gears for 203 dpi and 300 dpi) only for serial numbers <u>greater</u> than TT143103477	P1037974-061	1
2	Kit Drive Motor for 203 dpi and 300 dpi ZT200 Series only for serial numbers <u>less</u> than TT143003038	P1037974-030	1
2	Kit Drive Motor for 203 dpi and 300 dpi ZT200 Series only for serial numbers <u>greater</u> than TT143003038	P1037974-062	1

ZT200 Series Parts Catalog

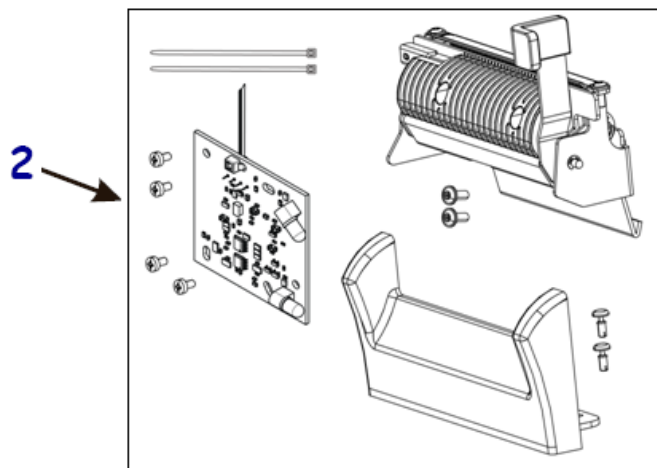
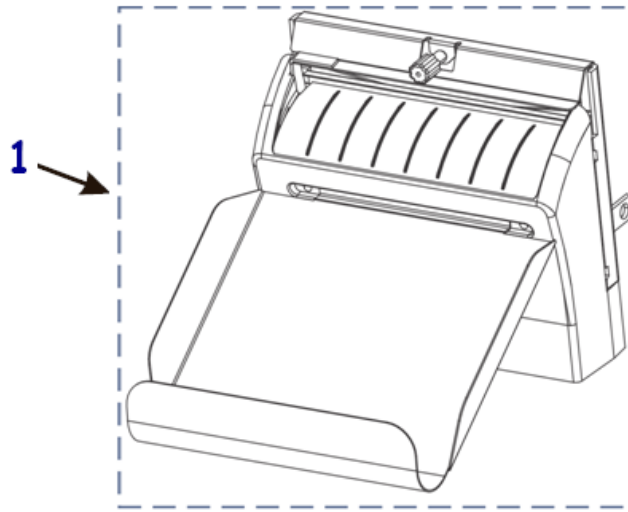
Media Path Components



Item Number	Description	Part Number	Kit Quantity
1	Kit Media Hanger ZT200 Series	P1037974-027	1
2	Kit Ribbon Supply Spindle ZT200 Series	P1037974-050	1
3	Kit Ribbon Take Up Spindle ZT200 Series	P1037974-051	1
4	Kit Media Dancer ZT200 Series	P1037974-057	1
	Kit Outer Media Guide ZT200 Series	P1037974-016	1
	Kit Tear Bar ZT200 Series	79837M	1
	Kit Cardboard Cores for Ribbon Spindles (Qty 2)	P1037974-012	2
	Kit Entire Ribbon System ZT230 (includes bearing support and both ribbon spindles)	P1037974-026	1
	Kit Entire Ribbon System ZT220 or ZT210 (includes bearing support and both ribbon spindles)	P1037990-001	1
	Kit Housing for Platen Roller ZT200 Series (includes both media guides)	P1037974-059	1

ZT200 Series Parts Catalog

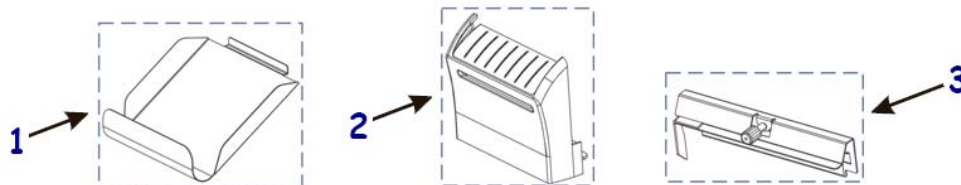
Media Handling Options



Item Number	Description	Part Number	Kit Quantity
1	Kit Cutter Option ZT200 Series	P1037974-007	1
2	Kit Peel Option ZT200 Series	P1037974-008	1

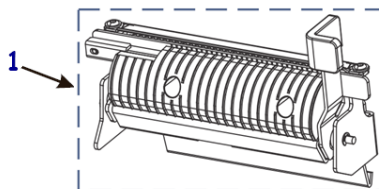
Replacement Components for Media Handling Options:

Cutter Components



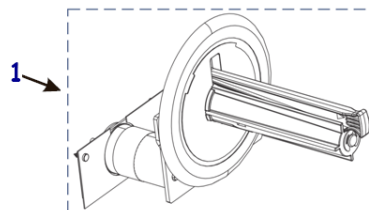
Item Number	Description	Part Number	Kit Quantity
1	Kit Catch Tray for Cutter ZT200 Series	P1037974-037	1
2	Kit Cover with PCB for Cutter ZT200 Series	P1037974-035	1
3	Kit Static Brush for Cutter ZT200 Series	P1037974-036	1

Peel Components



Item Number	Description	Part Number	Kit Quantity
1	Kit Peel Unit ZT200 Series	P1037974-038	1
	Kit Roller for Peel Unit ZT200 Series	P1037974-039	1

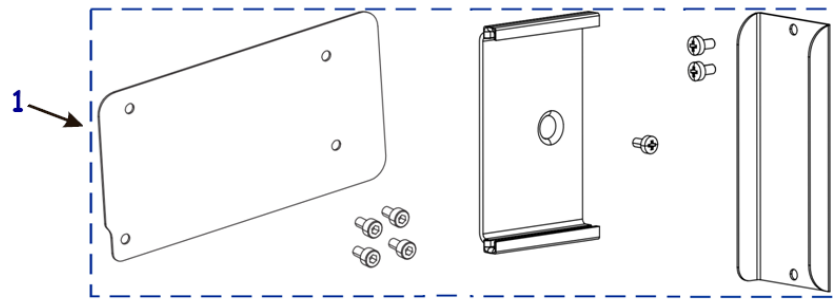
Liner Take-Up (LTU) Components



Item Number	Description	Part Number	Kit Quantity
1	Kit Replacement LTU PCB with Drive Motor and Spindle ZT230 only	P1037974-040	1
	Kit Door for LTU (Liner Take Up) ZT230 only	P1037974-054	1

ZT200 Series Parts Catalog

Covers and Packaging



Item Number	Description	Part Number	Kit Quantity
1	Kit Covers/Mounts for Options ZT200 Series	P1037974-041	1
	Kit Top Plate (Electronics Structural Cover) ZT200 Series	P1037974-042	1
	Kit Assorted Hardware ZT200 Series (various screws, washers, cable ties, etc.. used throughout the printer)	P1037974-044	1
	Kit Feet on bottom of printer (Qty 20) ZT200 Series	P1011215	20

Packaging Materials for Printer Shipping

Item Number	Description	Part Number	Kit Quantity
	Kit Packaging for ZT230 or ZT210 (Qty 1)	P1037974-045	1
	Kit Packaging for ZT230 or ZT210 (Qty 8)	P1037974-046	8
	Kit Packaging for Liner Take Up Versions of ZT230 (Qty 1)	P1037974-058	1
	Kit Packaging for ZT220 (Qty 1)	P1037990-018	1
	Kit Packaging for ZT220 (Qty 8)	P1037990-019	8



www.L-TronDirect.com

800-830-9523

info@L-Tron.com

596 Fishers Station Dr | Victor, NY | 14564 | Suite 1 A

www.L-Tron.com

